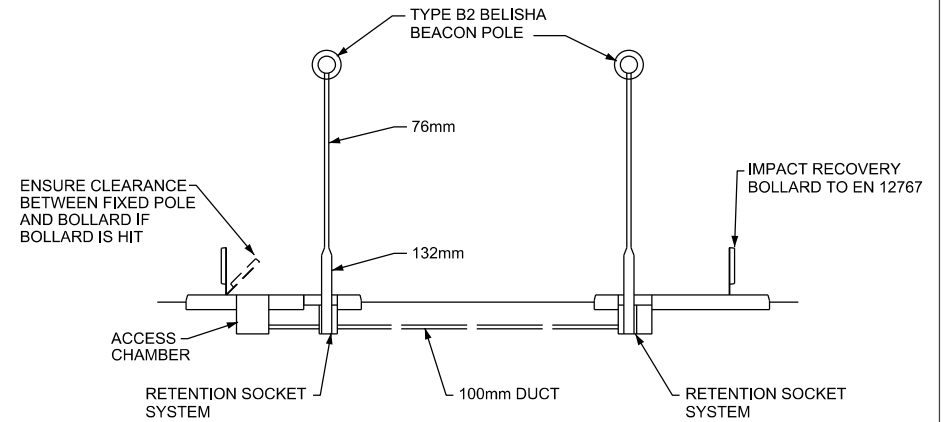


PLAN



NOTES:

1. ALL DIMENSIONS ARE IN MILLIMETRES UNLESS STATED OTHERWISE.
2. DROPPED KERBS SHALL BE LAID FLUSH WITH AN ABSOLUTE MAXIMUM UPSTAND OF 6mm ABOVE CARRIAGEWAY.
3. FOR TACTILE PAVING AND RECOMMENDED GRADIENTS REFER TO CC-SCD-05137.
4. ALTERNATIVE PROPOSALS TO THE POLE MOUNTING SYSTEM SHOWN ON THIS DETAIL SHALL BE APPROVED IN ADVANCE BY THE ENGINEER.
5. DUCT CROSSING SHALL COMPRISE 3 No. 100mm INTERNAL DIAMETER HIGH DENSITY POLYETHYLENE, SMOOTH SINGLE WALL ORANGE SERVICE DUCT, ACROSS CARRIAGEWAY IN 150mm CONCRETE SURROUND WITH DRAWCORD (MINIMUM COVER 600mm).
6. END OF ISLAND FACING APPROACHING MOTORIST TO BE PAINTED BLACK AND YELLOW.
7. REFER TO CC-SCD-05134 AND CC-SCD-05138 FOR FURTHER DETAILS.
8. CENTRAL REFUGE TACTILE PAVING ARRANGEMENT SHOWN IS FOR REFUGES UP TO 2.1m WIDE. WHERE REFUGE WIDTH IS GREATER THAN 2.1m, TACTILE PAVING SHOULD BE LIMITED TO TWO ROWS AT EACH KERB.



PUBLICATION TITLE
**ZEBRA CROSSING
CONSTRUCTION DETAIL FOR REFUGE ISLAND**

ACTIVITY	PUBLICATION TITLE			PUBLICATION NUMBER		
	STANDARD CONSTRUCTION DETAIL (SCD)			CC SCD 05132		
STREAM	HISTORICAL REFERENCE		DOCUMENTATION SET		PUBLICATION DATE	
	N/A		STANDARD		JULY 2021	