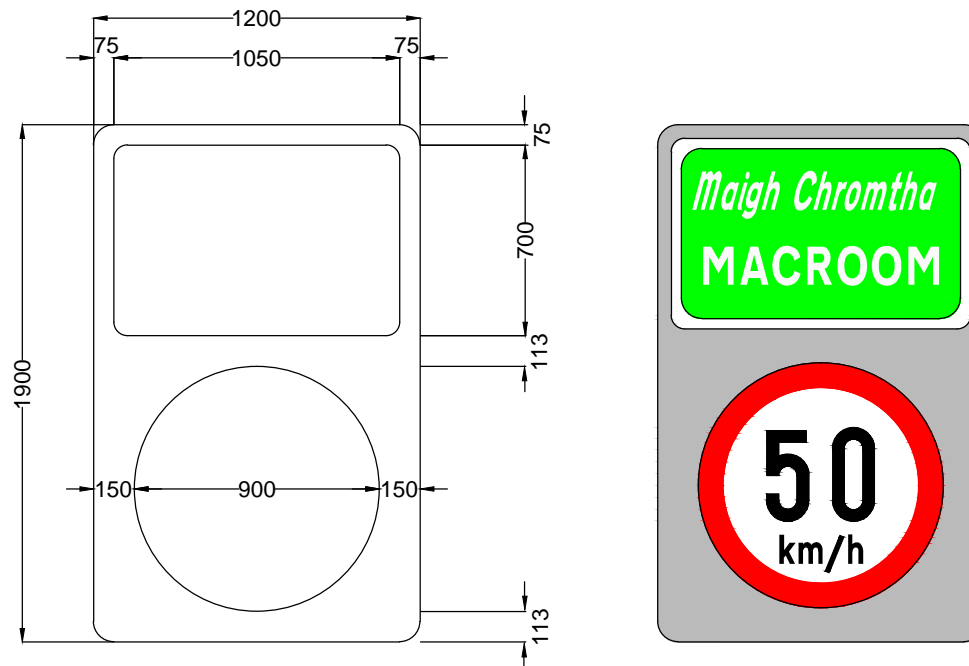


NOTES:

1. TEXT HEIGHT TO SUIT
2. REGULATORY SIGN: 900mm DIAMETER (SEE TRAFFIC SIGNS MANUAL, CHAPTER 5, SIGN RUS 043)
3. MATERIAL: CLASS RA2
4. ALL DIMENSIONS IN mm
5. NOT TO SCALE



ACTIVITY



PUBLICATION TITLE

GATEWAY SIGN 'A' (INBOUND)

STREAM

STANDARD CONSTRUCTION DETAILS (SCD)

HISTORICAL REFERENCE

Plate Number 3

DOCUMENTATION SET

STANDARDS

PUBLICATION DATE

AUGUST 2018

PUBLICATION NUMBER

CC | SCD | 05036