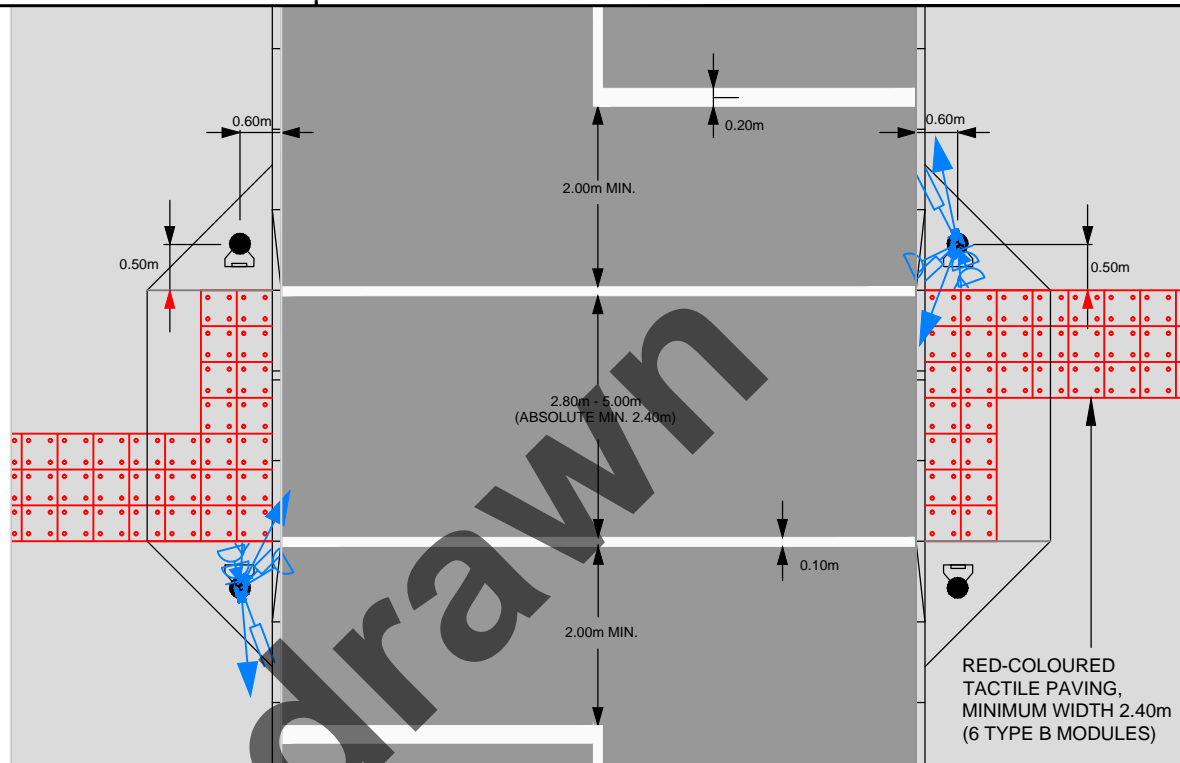
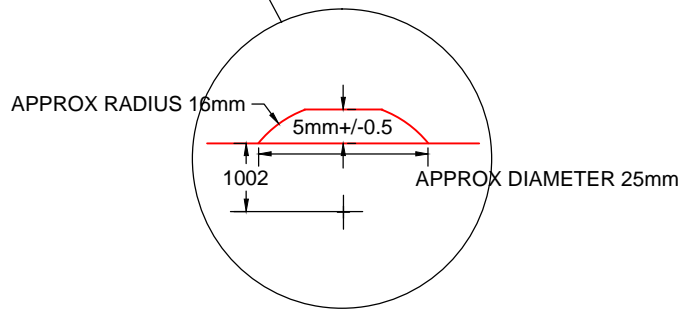
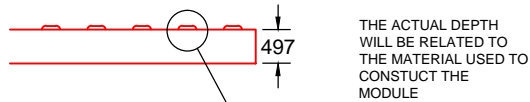
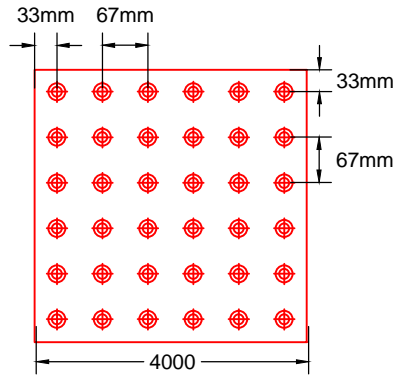


MODULE TYPE B - 36 DOMES



RED-COLOURED TACTILE PAVING, MINIMUM WIDTH 2.40m (6 TYPE B MODULES)

NOTES:

1. MODULE TYPE B (400mm BY 400mm) ONLY IS SHOWN HERE AND SHALL BE USED IN MOST CASES. OTHER SIZE MODULES MAY BE USED WHERE SITE SPECIFIC CIRCUMSTANCES DICTATE.
2. TACTILE BLISTER PAVING SHALL BE BEDDED ON 25mm MOIST SAND/CEMENT MORTAR (3:1). JOINTS FILLED WITH 4:1 MIX TO WITHIN 2mm OF THE PAVING SURFACE.

KEY TO SYMBOLS:

- 4M STRAIGHT SIGNAL POLE
- 3 ASPECT LED 'RED/YELLOW/GREEN' TRAFFIC SIGNAL HEAD WITH PRIMARY HOODS
- PUSH BUTTON UNIT FITTED WITH AUDIBLE SOUNDER AND TACTILE DEVICE; EXTRA LOW VOLTAGE 48V
- PEDESTRIAN NEARSIDE LED ASPECT (RED MAN / GREEN MAN) (NARROW FIELD OPTIC VISION, WITH LATERAL ADJUSTMENT HOUSING), EXTRA LOW VOLTAGE 48V
- PEDESTRIAN NEARSIDE LED REPEATER (RED MAN / GREEN MAN) (NARROW FIELD OPTIC VISION, WITH LATERAL ADJUSTMENT HOUSING), EXTRA LOW VOLTAGE 48V

- PEDESTRIAN FARSIDE LED ASPECT (RED MAN / GREEN MAN) (NARROW FIELD OPTIC VISION, WITH LATERAL ADJUSTMENT HOUSING), EXTRA LOW VOLTAGE 48V  
NOTE: THE REQUIREMENT FOR FAR SIDE ASPECT IS TEMPORARY UNTIL THE LEGISLATION HAS BEEN CHANGED.
- MICROWAVE PEDESTRIAN ON-CROSSING DETECTOR. EXTRA LOW VOLTAGE (48V)
- MICROWAVE VEHICLE DETECTOR UNIT (TR2123). EXTRA LOW VOLTAGE (48V)
- DIGITAL KERBSIDE DETECTOR UNIT. EXTRA LOW VOLTAGE (48V)
- CONTROLLER CABINET WITH FEEDER PILLAR FOR ELECTRICITY SUPPLY



PUBLICATION TITLE

PUFFIN CROSSING  
TACTILE PAVING AND ROAD MARKINGS DETAIL

ACTIVITY

STREAM

STANDARD CONSTRUCTION DETAILS (SCD)

HISTORICAL REFERENCE

PCS 015

DOCUMENTATION SET

STANDARDS

PUBLICATION DATE

AUGUST 2018

PUBLICATION NUMBER

CC | SCD | 05027