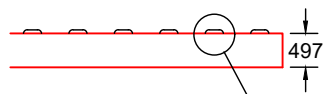
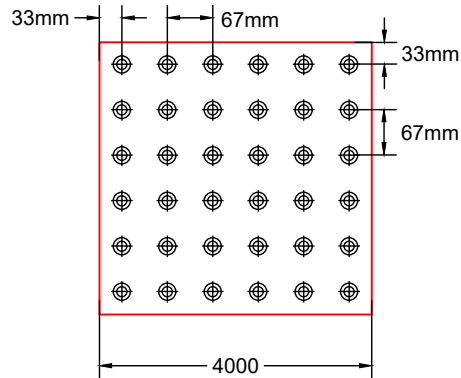
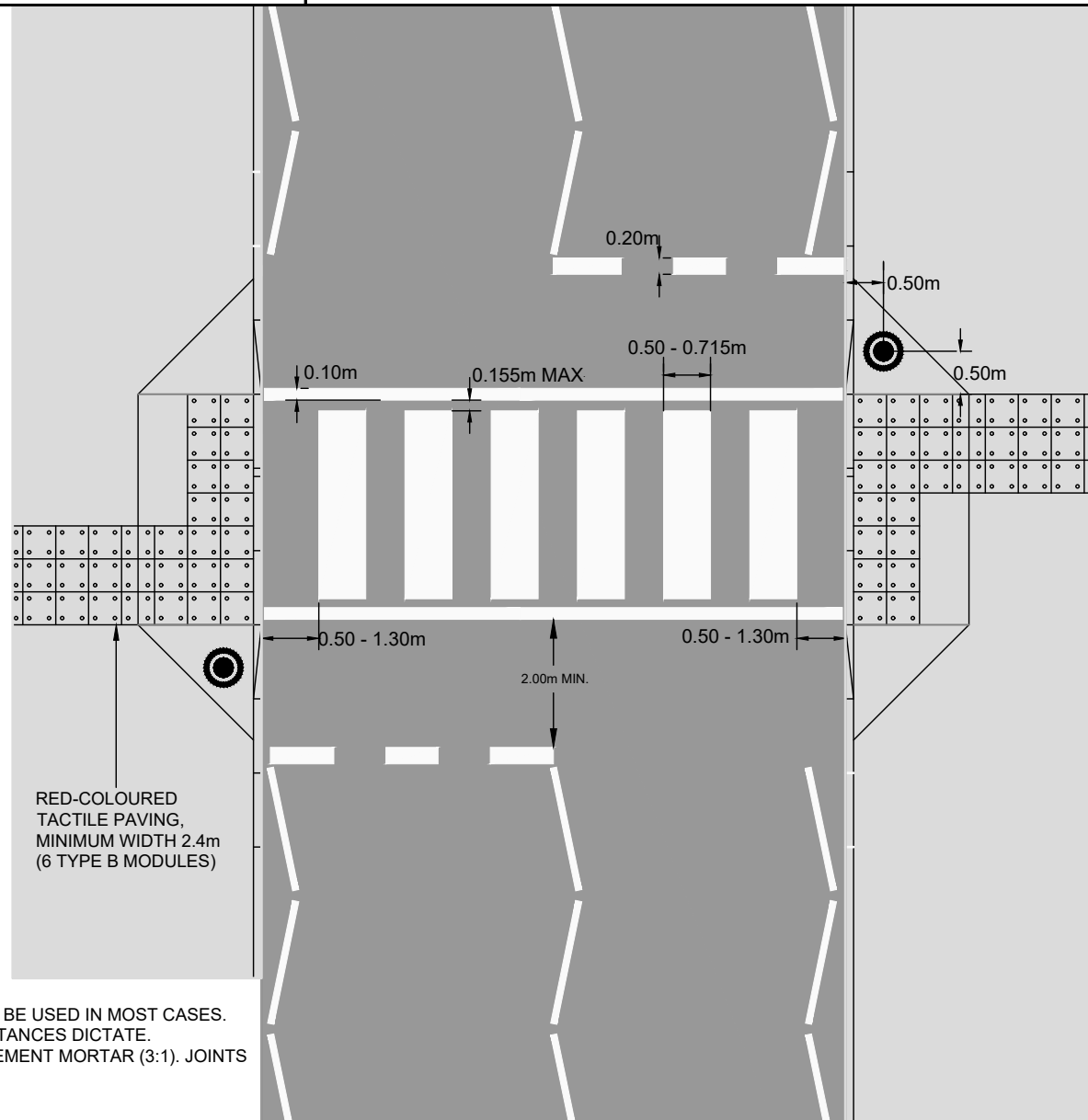
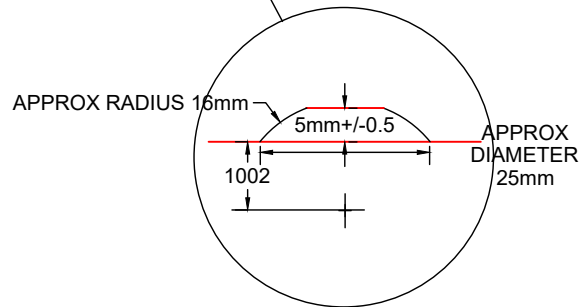


MODULE TYPE B - 36 DOMES



THE ACTUAL DEPTH WILL BE RELATED TO THE MATERIAL USED TO CONSTRUCT THE MODULE



RED-COLOURED TACTILE PAVING, MINIMUM WIDTH 2.4m (6 TYPE B MODULES)

NOTES:

1. MODULE TYPE B (400mm BY 400mm) ONLY IS SHOWN HERE AND SHALL BE USED IN MOST CASES. OTHER SIZE MODULES MAY BE USED WHERE SITE SPECIFIC CIRCUMSTANCES DICTATE.
2. TACTILE BLISTER PAVING SHALL BE BEDDED ON 25mm MOIST SAND/CEMENT MORTAR (3:1). JOINTS FILLED WITH 4:1 MIX TO WITHIN 2mm OF THE PAVING SURFACE.



ACTIVITY



PUBLICATION TITLE

ZEBRA CROSSING
TACTILE PAVING AND ROAD MARKINGS DETAIL

STREAM

STANDARD CONSTRUCTION DETAILS (SCD)

HISTORICAL REFERENCE

PCS 014

DOCUMENTATION SET

STANDARDS

PUBLICATION DATE

AUGUST 2018

PUBLICATION NUMBER

CC SCD 05024