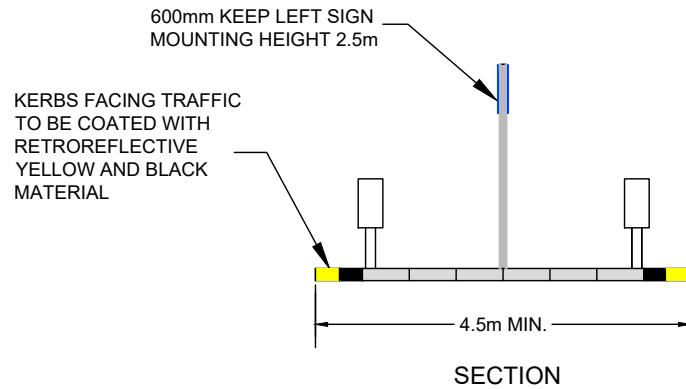


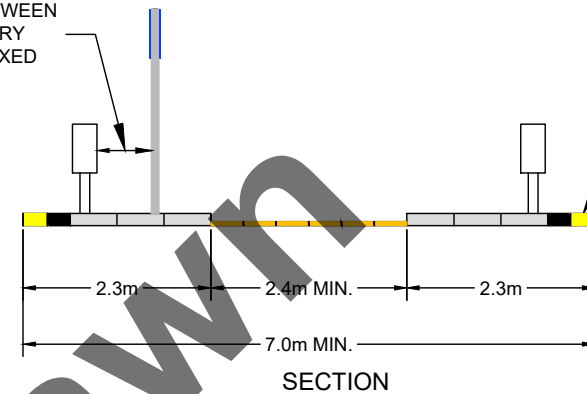
LEGEND:

 BUFF COLOURED TACTILE BLISTER PAVING

NOT TO SCALE



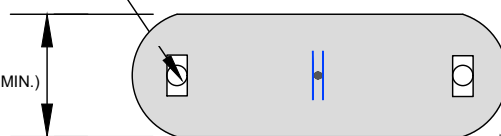
ENSURE ADEQUATE
CLEARANCE BETWEEN
IMPACT RECOVERY
BOLLARD AND FIXED
SIGN POLE



KERBS FACING TRAFFIC TO BE
COATED WITH
RETROREFLECTIVE
YELLOW AND BLACK MATERIAL

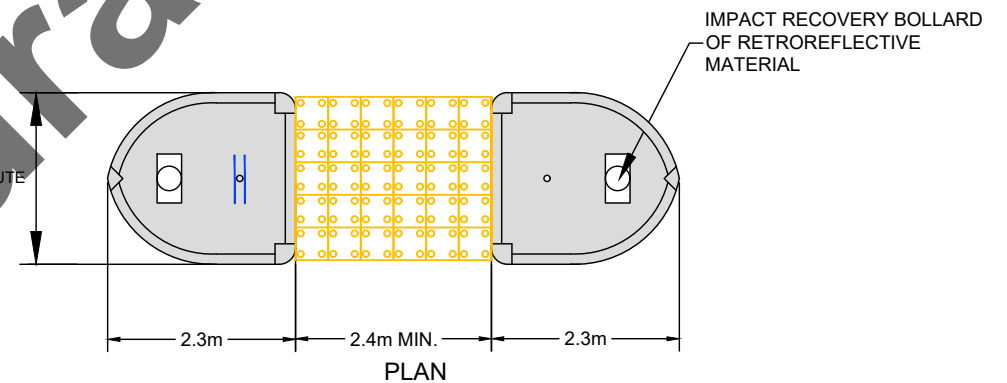
IMPACT RECOVERY BOLLARD
OF RETROREFLECTIVE
MATERIAL

2.1m MIN.
(1.5m ABSOLUTE MIN.)



A: ISLAND WITHOUT PEDESTRIAN FACILITY

2.1m MIN.
(1.5m ABSOLUTE
MIN.)



IMPACT RECOVERY BOLLARD
OF RETROREFLECTIVE
MATERIAL

B: ISLAND WITH PEDESTRIAN FACILITY (UNCONTROLLED)