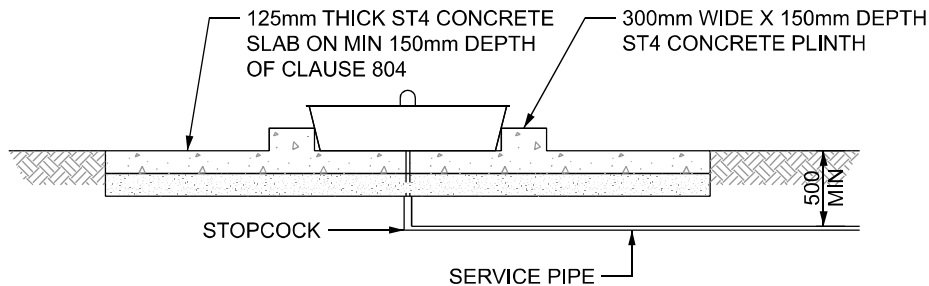
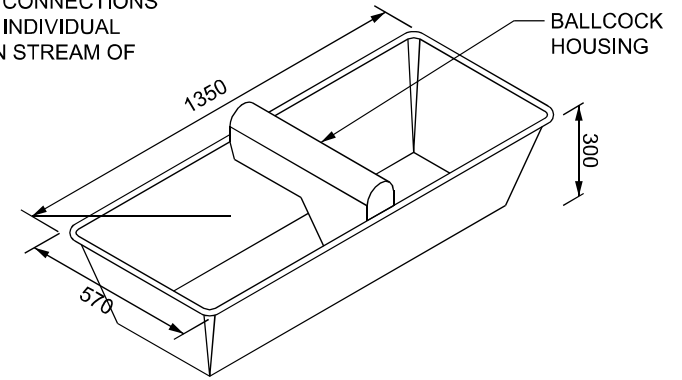


PLAN



SECTION A-A

NOTE:-
FOR TYPE 3 (ie 2x75 GALLONS)
2 No. 12mm WATER CONNECTIONS
MUST BE MADE TO INDIVIDUAL
BALLCOCKS, DOWN STREAM OF
STOPCOCK.



30 GALLON PRECAST CONCRETE WATER TROUGH

TYPE	CAPACITY (GALLONS)	TROUGH DIMENSIONS (LxWxD)M	PLINTH DIMENSIONS (LxW)M	HARDSTANDING DIMENSIONS (M)
1	30	1.35x0.57x0.3	1.8x1.1	4.0x4.0
2	75	1.5x0.9x.03	2.1x1.4	4.0x4.0
3	100	2 x TYPE 2	2.3x2.0	5.5x4.0



PUBLICATION TITLE
ACCOMMODATION WORKS
WATER TROUGHS

ACTIVITY
STANDARD CONSTRUCTION DETAILS (SCD)

HISTORICAL REFERENCE
RCD/2700/103

DOCUMENTATION SET
STANDARDS

PUBLICATION DATE
MARCH 2000

PUBLICATION NUMBER
ACTIVITY STREAM DRAWING NUMBER
CC SCD 02756