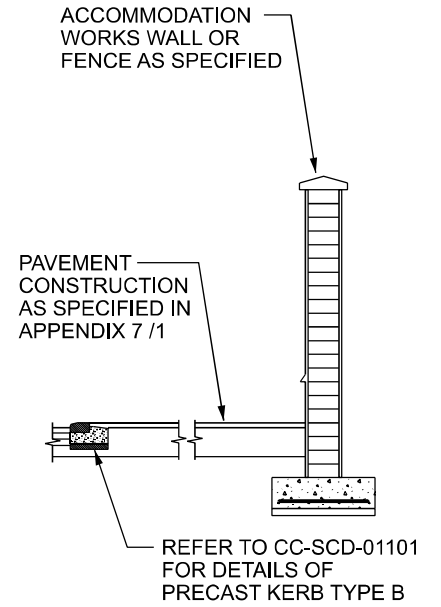
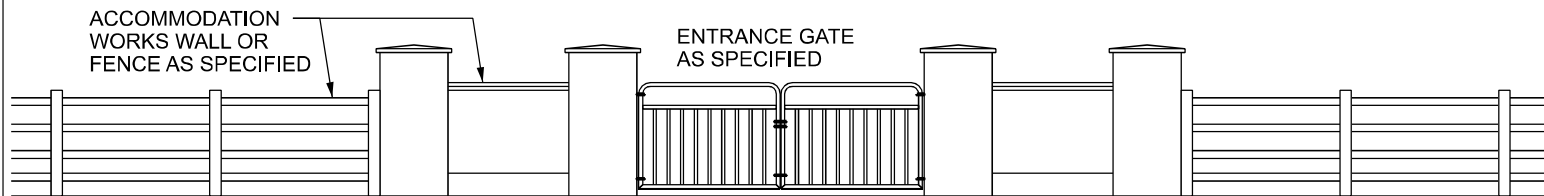


PLAN



SECTION A-A



ELEVATION

	ACTIVITY	PUBLICATION TITLE	
		ACCOMMODATION WORKS DOMESTIC ENTRANCE	
STREAM	HISTORICAL REFERENCE	DOCUMENTATION SET	PUBLICATION DATE
STANDARD CONSTRUCTION DETAILS (SCD)	RCD/2700/100	STANDARDS	SEPTEMBER 2016
	PUBLICATION NUMBER		
	ACTIVITY	STREAM	DRAWING NUMBER
	CC	SCD	02753