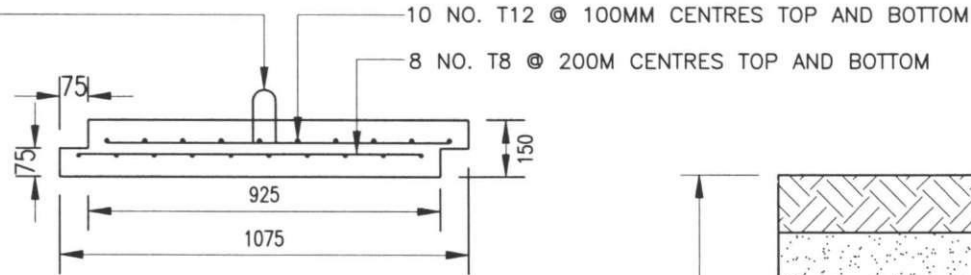


2 NO. 1 TONNE
LIFTING ANCHORS

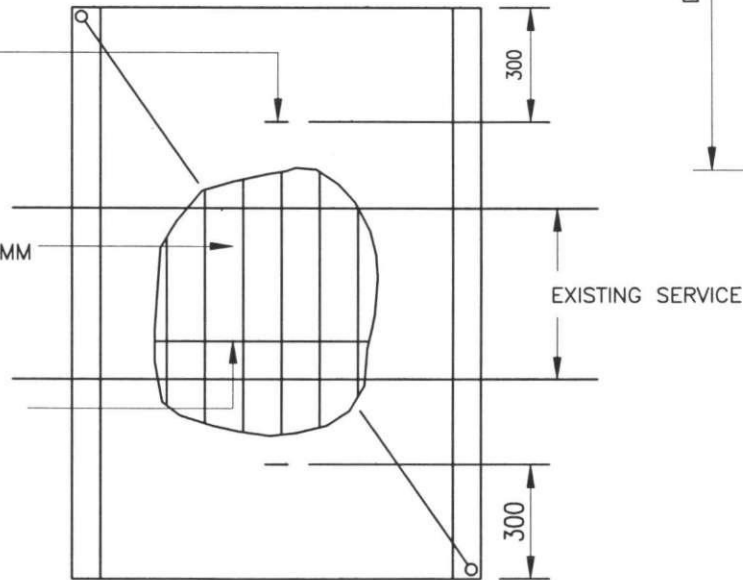


ELEVATION
PRECAST CONCRETE SLAB

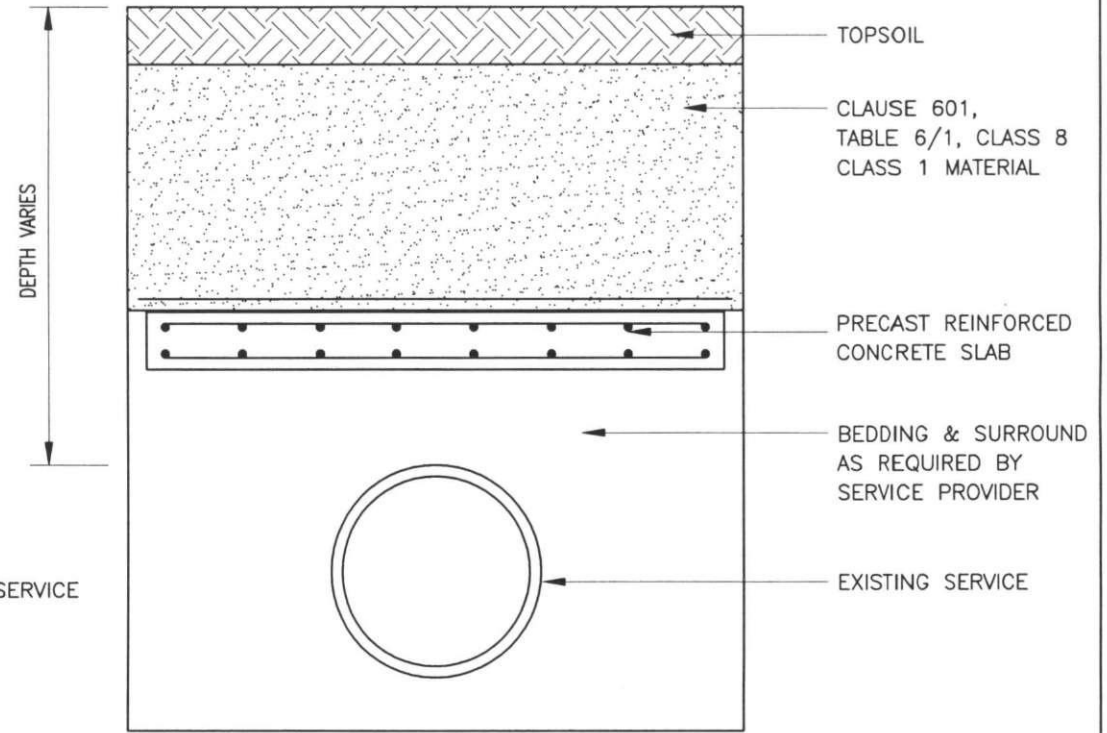
2 NO. 1 TONNE
LIFTING ANCHORS

10 NO. T12 @ 100MM
CENTRES TOP
AND BOTTOM

8 NO. T8 @ 200M
CENTRES TOP
AND BOTTOM



PLAN
PRECAST CONCRETE SLAB



SECTION

NOTES :
ALL DIMENSIONS ARE IN MILLIMETRES
UNLESS OTHERWISE STATED