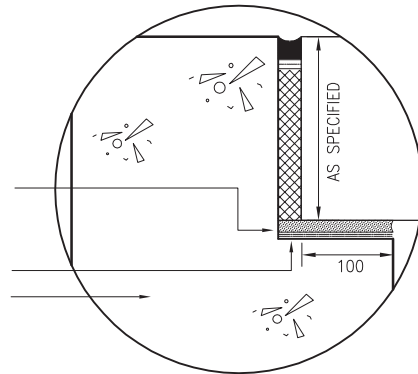
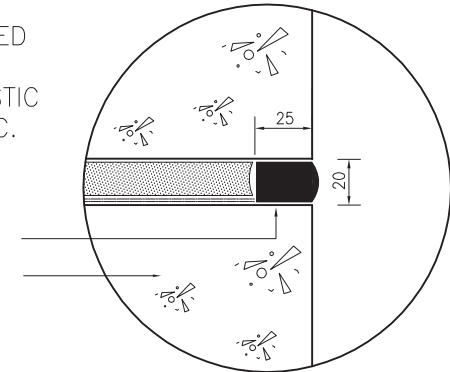


25MM X 25MM
 PLIASTIC A2 SEALANT
 ON
 BOND BREAKING TAPE
 ON
 WATERPROOF, NON-ROTTING
 PREFORMED BITUMEN BONDED
 CORK JOINT FILLER BOARD
 20MM CLASS 1 MORTAR BED
 ON
 2 NO. LAYERS OF BITUMASTIC
 BASED HESSIAN TYPE D.P.C.
 LAID BREAKING JOINT.
 CHAMBER WALLS



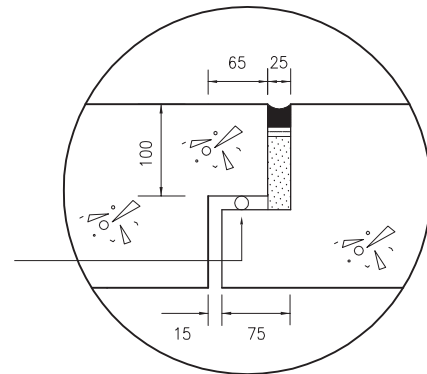
JOINT A

PRE-CAST CONCRETE
 ROOF SLAB BEDDED
 ON
 20MM CLASS 1 MORTAR BED
 ON
 2 NO. LAYERS OF BITUMASTIC
 BASED HESSIAN TYPE D.P.C.
 LAID BREAKING JOINT.
 POLYSULPHIDE SEALANT
 REBATE 25MM X 20MM
 CHAMBER WALLS



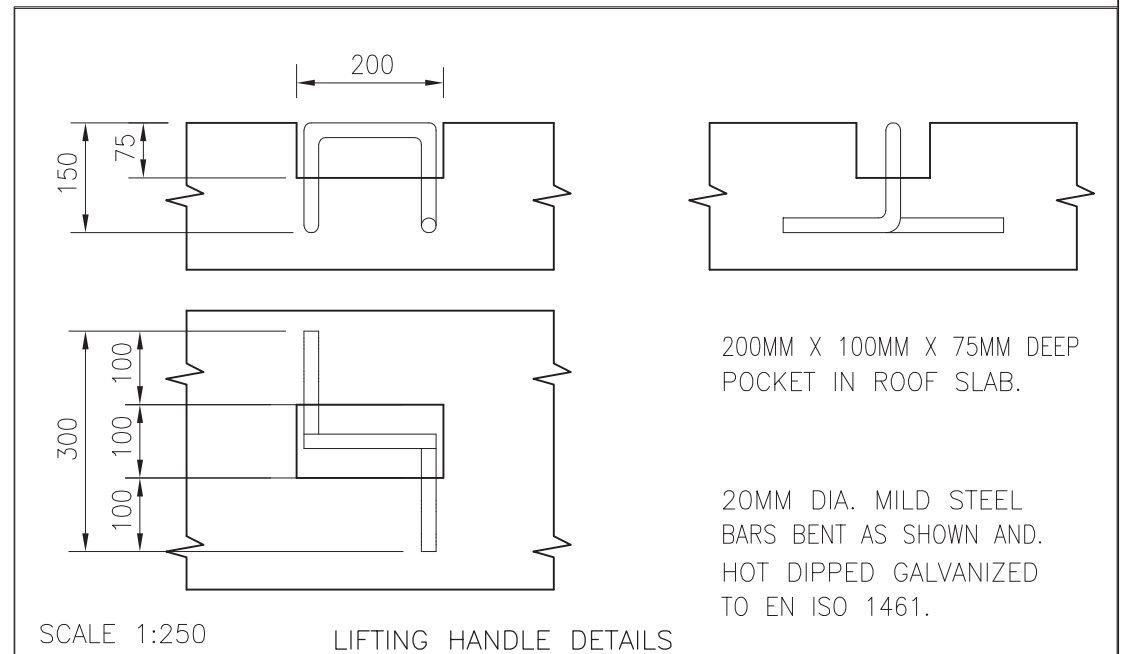
JOINT C

25MM X 25MM
 PLIASTIC A2 SEALANT
 ON
 BOND BREAKING TAPE
 ON
 WATERPROOF, NON-ROTTING
 PREFORMED BITUMEN BONDED
 CORK JOINT FILLER BOARD
 19MM Ø PREFORMED SELF
 ADHESIVE NEOPRENE SEAL



JOINT B

SCALE 1:200



SCALE 1:250

LIFTING HANDLE DETAILS