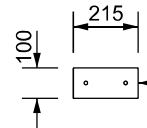
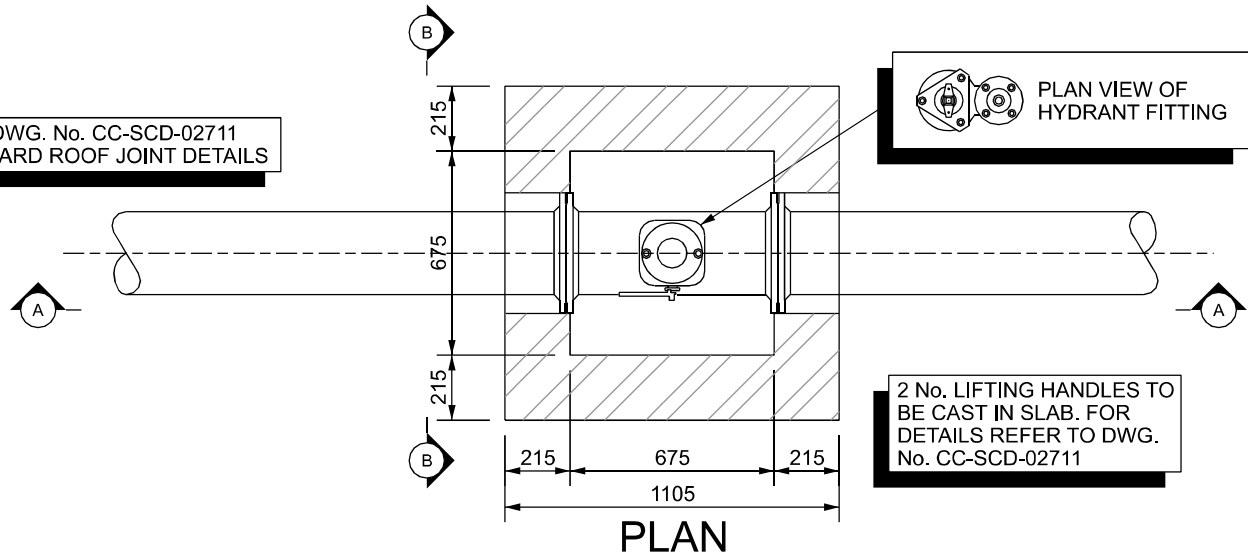


REFER TO DWG. No. CC-SCD-02711 FOR STANDARD ROOF JOINT DETAILS



2 No. LIFTING HANDLES TO BE CAST IN SLAB. FOR DETAILS REFER TO DWG. No. CC-SCD-02711

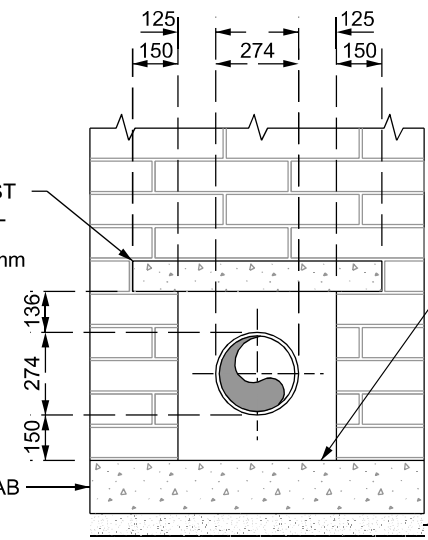


C25/30 CONCRETE REINFORCED WITH 2 No. HIGH YIELD REINFORCING BARS 12mm IN DIAMETER

SECTION OF P.C.C. LINTEL

215mm WIDE x 100mm DEEP PRECAST CONCRETE LINTELOVER BOTH WALL OPES. MINIMUM LENGTH = OPE SIZE + 300mm

NOTE:-
CLEAR OPE IN WALL SIZE VARIES WITH MAIN PIPELINE DIAMETER.
OPE HEIGHT = OD + 300mm.
OPE WIDTH = OD + 250mm.



C25/30 CONCRETE IN CHAMBER FLOORS

ST4 CONCRETE FLOOR SLAB WITH CLASS U2 FINISH

75mm ST2 CONCRETE BLINDING LAYER



ACTIVITY		PUBLICATION TITLE			
STANDARD CONSTRUCTION DETAILS (SCD)		WATERMAIN AIR VALVE OR HYDRANT CHAMBER (MAINS 400mm Ø OR LESS) SHEET 2 OF 2			
STREAM		HISTORICAL REFERENCE	DOCUMENTATION SET	PUBLICATION DATE	PUBLICATION NUMBER
STANDARD CONSTRUCTION DETAILS (SCD)		RCD/2700/8	STANDARD	MARCH 2011	CC SCD 02708
ACTIVITY	STREAM	DRAWING NUMBER			
CC	SCD	02708			