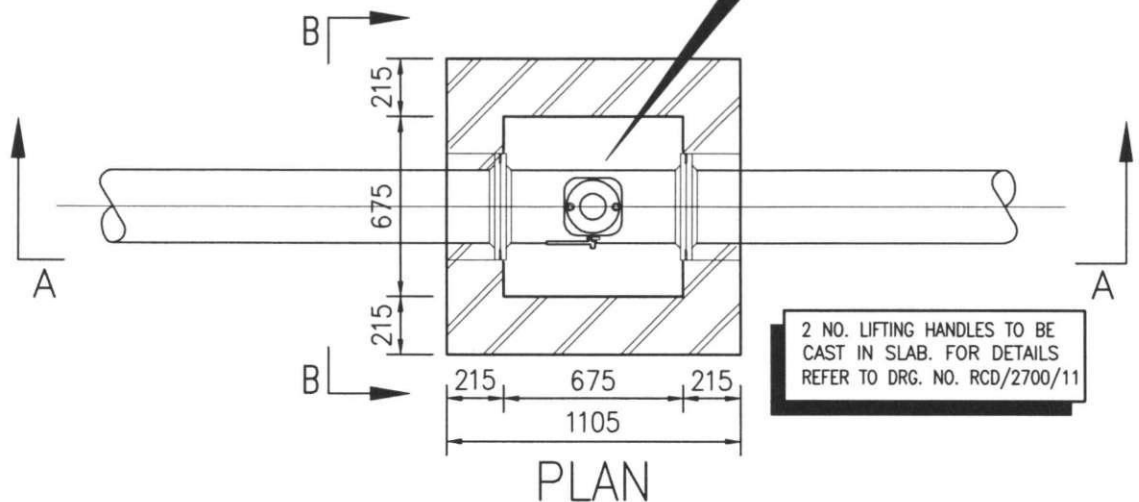
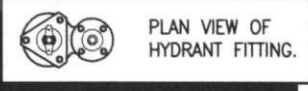
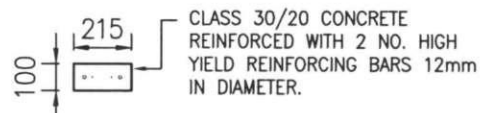


REFER TO DRG. NO. RCD/2700/11
FOR STANDARD ROOF JOINT DETAILS.

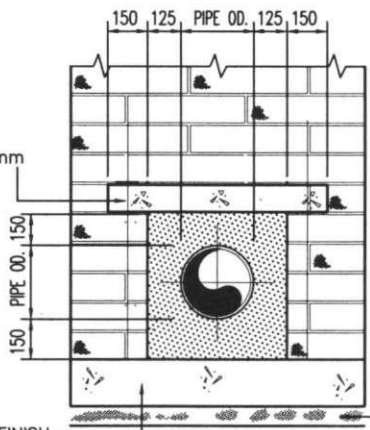


2 NO. LIFTING HANDLES TO BE
CAST IN SLAB. FOR DETAILS
REFER TO DRG. NO. RCD/2700/11

215mm WIDE X 100mm DEEP
PRE-CAST CONCRETE LINTEL
OVER BOTH WALL OPES.
MINIMUM LENGTH = OPE SIZE + 300mm



SECTION OF P.C.C. LINTEL



CLASS 30/20 CONCRETE
IN CHAMBER FLOORS.

NOTE
CLEAR OPE IN WALL SIZE VARIES
WITH MAIN PIPELINE DIAMETER.
OPE HEIGHT = OD. + 300mm
OPE WIDTH = OD. + 250mm

ST4 CONCRETE FLOOR
SLAB WITH CLASS U2 FINISH.

ELEVATION B-B



ROAD CONSTRUCTION
DETAILS

STATUTORY
UNDERTAKERS

P1	03/00
Issue	Date

AIR VALVE OR HYDRANT CHAMBER
(MAINS 400MM Ø OR LESS)
(SHEET 2 OF 2)

Drawing No.
RCD/
2700/8