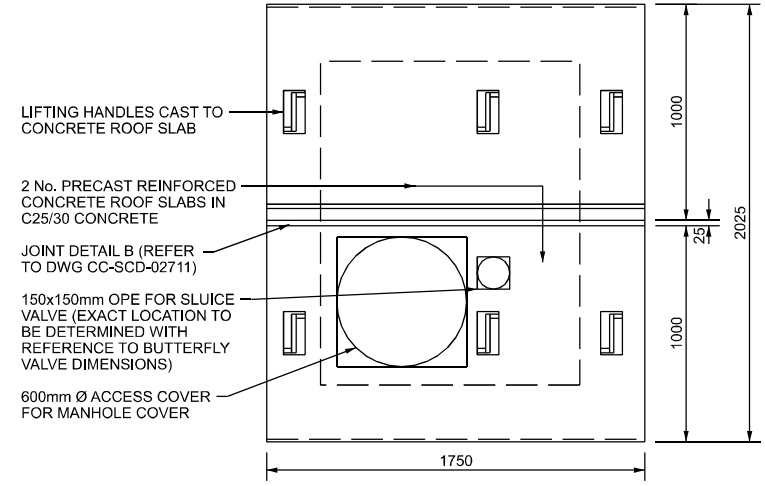
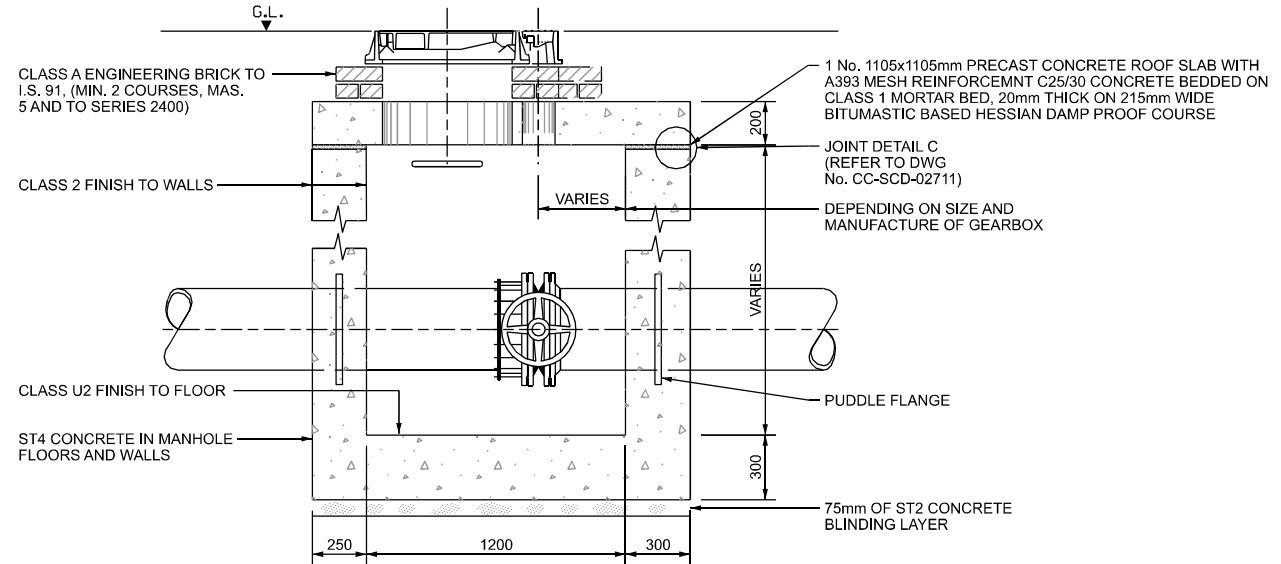


**PLAN**



**ROOF PLAN**



**SECTION C-C**



PUBLICATION TITLE  
**WATERMAIN BUTTERFLY VALVE CHAMBER (MAINS 350mm Ø OR OVER)**

ACTIVITY	PUBLICATION TITLE			PUBLICATION NUMBER		
STREAM	HISTORICAL REFERENCE			DOCUMENTATION SET		PUBLICATION DATE
STANDARD CONSTRUCTION DETAILS (SCD)	RCD/2700/6	STANDARD	MARCH 2011	CC	SCD	02706