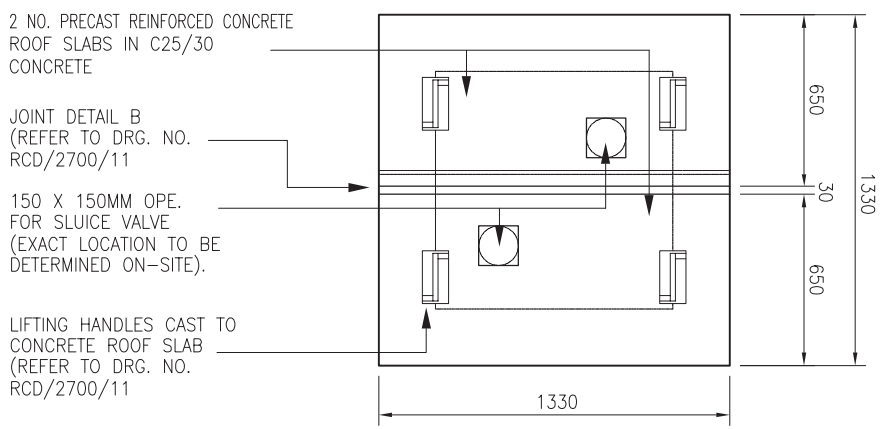
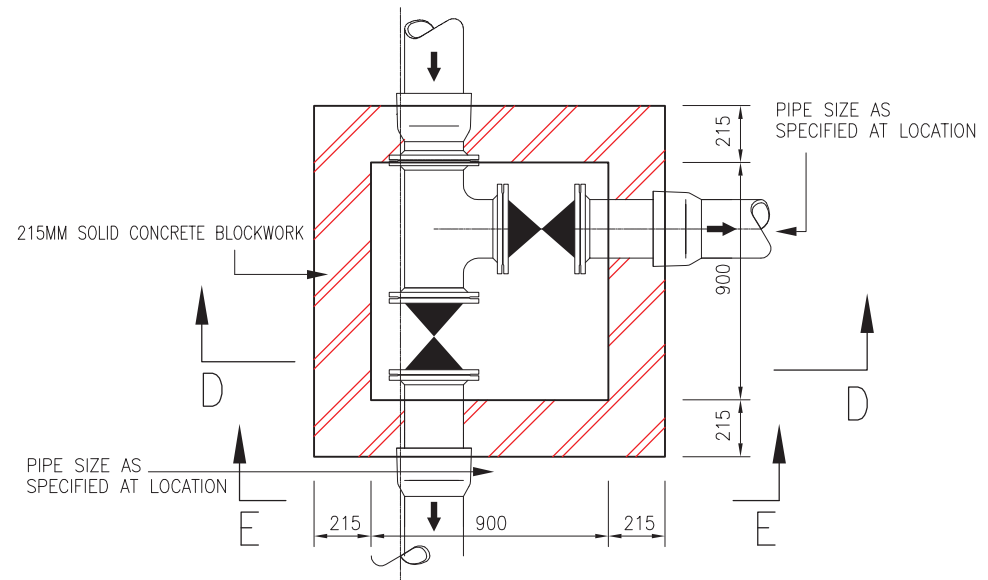


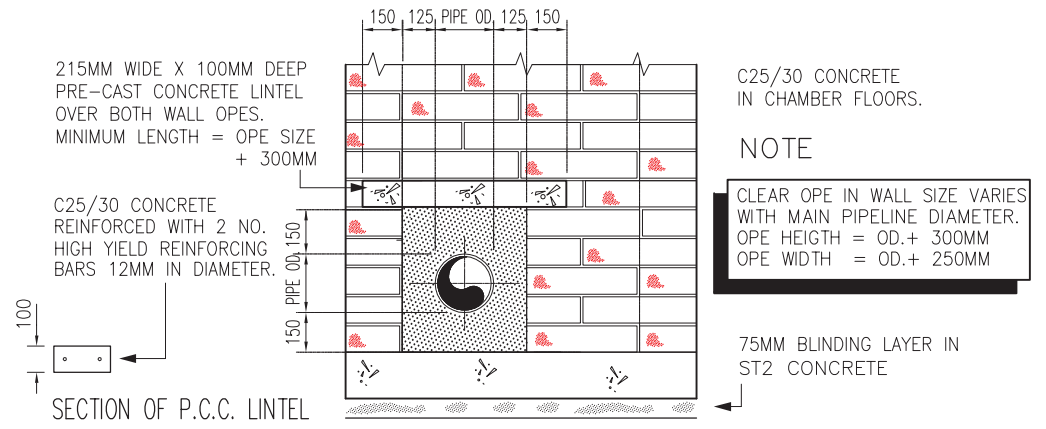
SECTION D-D



ROOF PLAN



PLAN



SECTION OF P.C.C. LINTEL

ELEVATION E-E

NOTE

CLEAR OPE IN WALL SIZE VARIES WITH MAIN PIPELINE DIAMETER.
 OPE HEIGHT = OD. + 300MM
 OPE WIDTH = OD. + 250MM