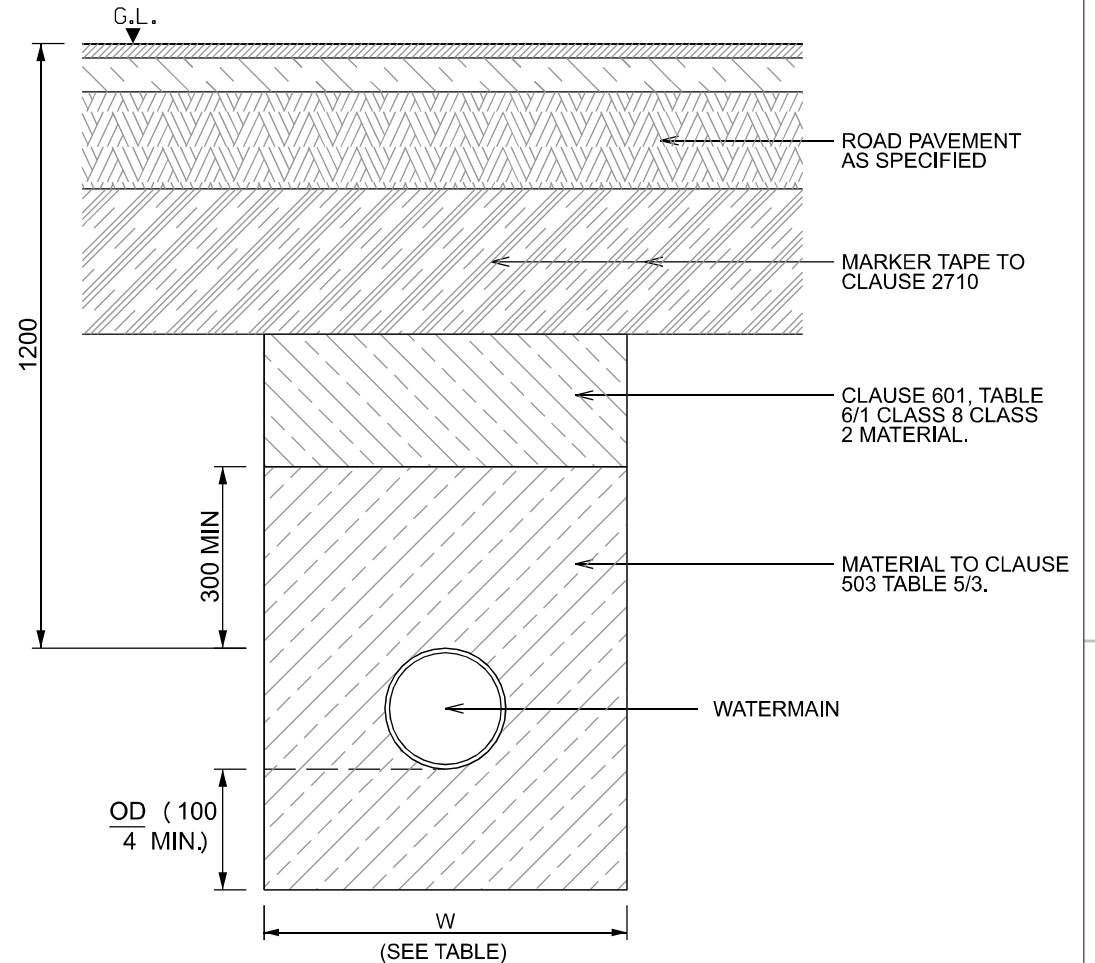


TRENCH DETAIL WHERE MINIMUM COVER NOT PROVIDED

PIPE Ø (mm)	TRENCH WIDTH W (mm)	CONCRETE SURROUND
		H (mm)
80	500	400
100	500	400
150	600	450
200	600	450
250	750	650
300	750	650
350	750	750
400	900	850
450	900	850
500	1000	850
1050	2200	1600
1200	2400	1750



TRENCH DETAIL WHERE MINIMUM COVER PROVIDED