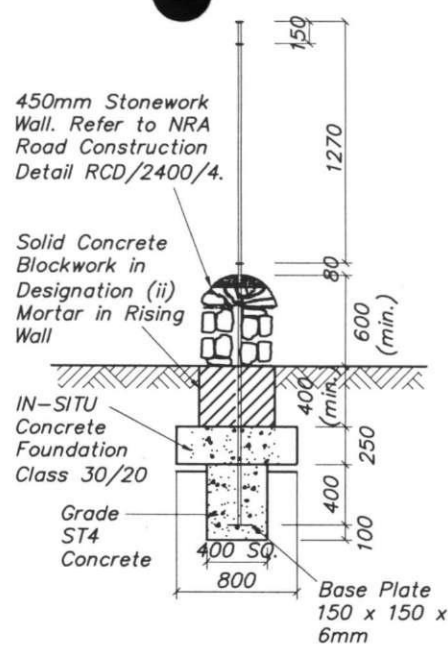
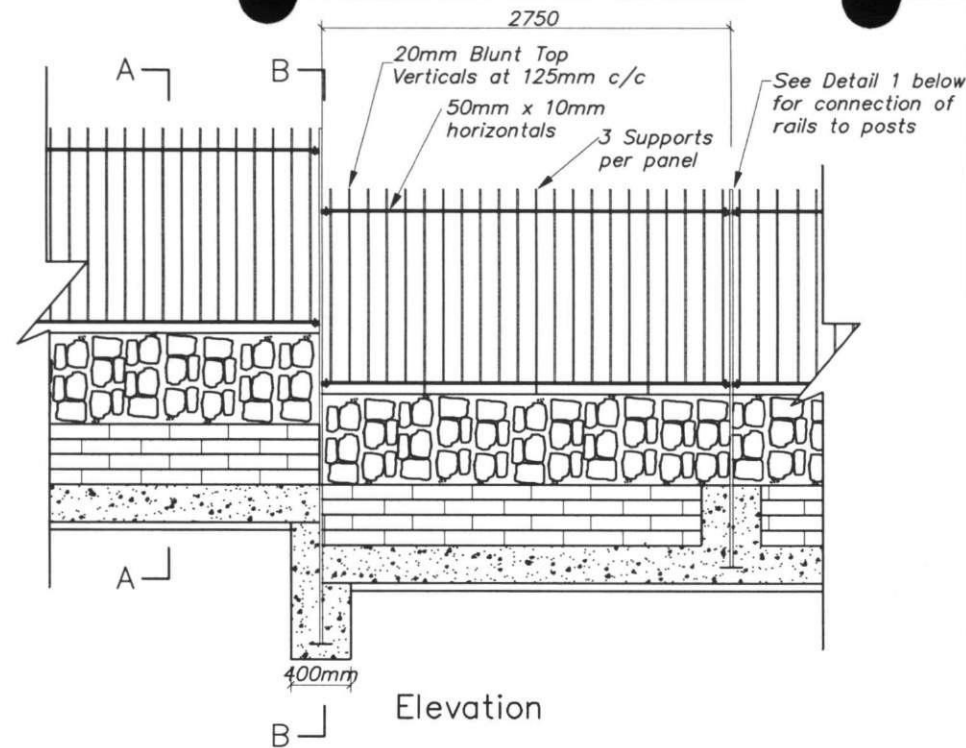


Section A - A

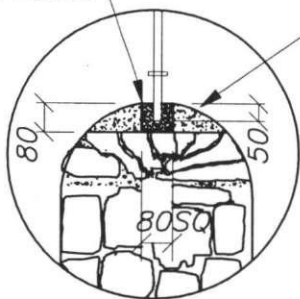


Section B - B



Elevation

Grout 20mm Dia. Bar in Pocket



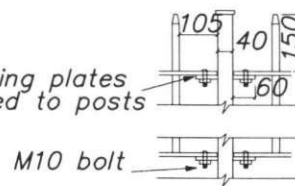
Grout Detail

Sand/Cement Coping

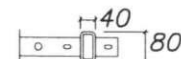
**NOTES**

- All intersecting points between vertical bars and horizontal straps to be welded on all faces.
- All components to be mild steel.
- All components to be galvanised after manufacture to B.S. 729.

All connecting plates to be welded to posts



ELEV. OF POSTS (80x40x5 RHS)



PLAN OF POSTS

DETAIL 1

**NOTES :**

1. THIS RCD IS ONLY TO BE USED IN ASSOCIATION WITH A UNIQUE STRUCTURAL DESIGN CARRIED OUT FOR THE WALLS ON A PROJECT IN ACCORDANCE WITH RELEVANT DESIGN CODES FOR BLOCKWORK, MASONRY AND LOADING.
2. ALL FENCING MATERIAL SHALL BE GALVANISED TO B.S. 729 AND POLYESTER POWDER COATED TO B.S. 497.
3. COLOUR OF FENCING TO BE GREEN UNLESS SPECIFIED OTHERWISE.
4. PALES SHALL BE SECURED TO RAILS AT EVERY INTERSECTION BY MEANS OF WELDING. WELDING SHALL CONSIST OF 3mm FILLET WELDS AT LEAST 30mm LONG ON EACH SIDE OF THE PALE.