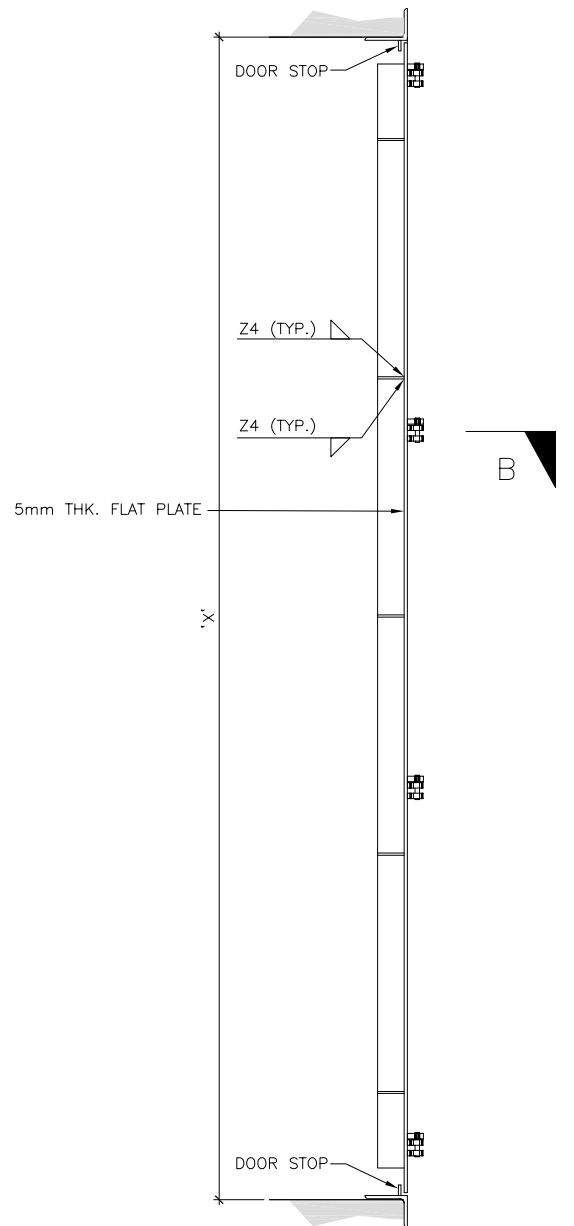
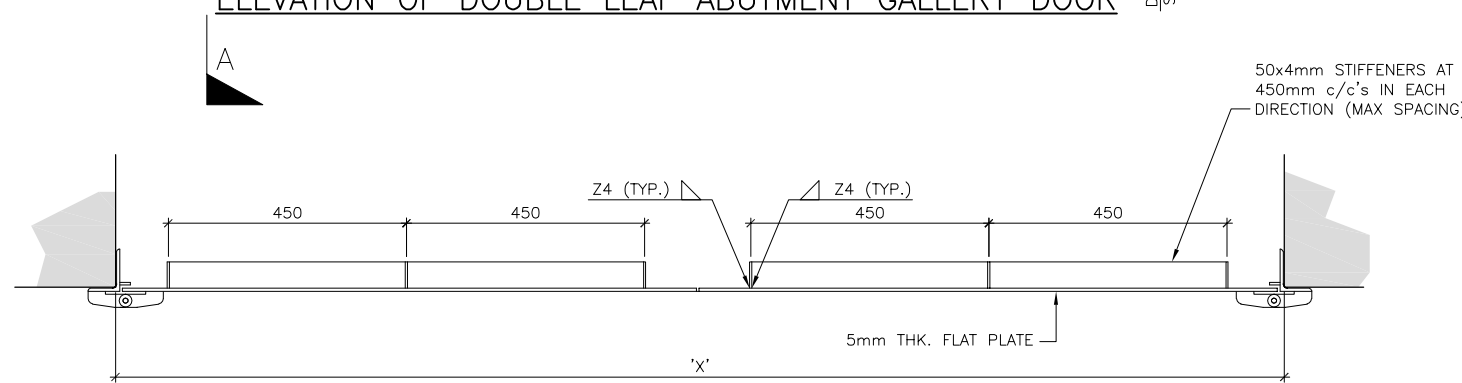


ELEVATION OF DOUBLE LEAF ABUTMENT GALLERY DOOR

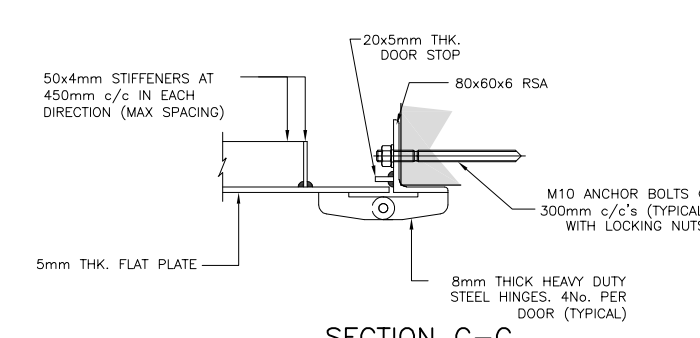
- NOTES:-
1. ALL DIMENSIONS IN MILLIMETRES, UNLESS OTHERWISE NOTED.
 2. ALL STEEL TO BE GRADE S275 J2 TO IS EN 10025 UNLESS NOTED OTHERWISE.
 3. FRAMES TO BE COMPRISED OF 80x60x6mm ANGLES ON FOUR SIDES WITH 20mm WIDE STRIP ATTACHED TO ACT AS DOOR STOP.
 4. FRAMES TO BE FIXED WITH M10 GRADE 8.8 ANCHOR BOLTS INTO PREFORMED HOLES IN FRAME AT 300mm c/c's.
 5. EACH DOOR TO BE FIXED TO THE FRAME WITH 4No. HEAVY DUTY HINGES.
 6. 3No. HASP AND PADLOCK 'MUL-T-LOCK C-SERIES HASP AND SHACKLE PROTECTOR' OR EQUIVALENT.
 7. CATCHES TO BE PROVIDED TO ALLOW THE DOORS TO BE HELD IN THE OPEN POSITION.
 8. ALL SPLICES AND CONNECTORS TO BE FULLY TOP COATED AFTER ASSEMBLY. ALL GAPS SHALL BE SEALED.
 9. ADD 300x300mm AIR VENT 'VENTILATION LOUVRE', MIN 5mm STEEL PLATE TO FORM LOUVRES AND FRAME AROUND. 4mm FILLET WELD ALL ROUND MAX GAP 20mm.
 10. STAINLESS STEEL CONNECTION TO BE ELECTRICALLY ISOLATED FROM GALVANISED STEEL MEMBERS USING NEOPRENE WASHERS.
 11. ALL EDGES TO BE GROUND SMOOTH.
 12. STEEL DIMENSIONS ARE SPECIFIED FOR A MEAN TEMPERATURE OF 12°C.
 13. HARD STAMPING SHALL NOT BE PERMITTED ON PERMANENTLY EXPOSED SURFACES.
 14. VISIBLE WELDS ON EXPOSED SURFACES SHALL BE GROUND FLUSH.
 15. MINIMUM 4mm FILLET WELDS TO BE PROVIDED ON ALL SIDES.
 16. "X" AND "Y" DIMENSIONS TO BE SELECTED FOLLOWING ASSESSMENT OF EQUIPMENT THAT MAY NEED TO BE CARRIED IN. THIS SCD DESIGN IS BASED ON MAXIMUM "X" AND "Y" DIMENSIONS OF 2100mm AND 2400mm RESPECTIVELY. LARGER DOORS SHOULD ONLY BE USED IN ASSOCIATION WITH A UNIQUE STRUCTURAL DESIGN IN ACCORDANCE WITH THE RELEVANT DESIGN CODES.
 17. IN DETAILING, CARE MUST BE TAKEN THAT DOORS DO NOT FOUL ANY ADJACENT ANGLED SURFACES.
 18. DOOR AND FRAME TO BE HOT DIP GALVANIZED IN ACCORDANCE WITH CC-SPW-01900. GALVANIZING COVERAGE RATE SHALL BE IN ACCORDANCE WITH EN-ISO-1461. STAINLESS STEEL SHALL BE USED FOR ANCHOR BOLTS, NUTS AND WASHERS.
 19. PROTECTION AGAINST CORROSION PAINT SYSTEM AND FINAL COLOUR TO BE CONFIRMED WITH TII AND PROVIDED IN ACCORDANCE WITH CC-SPW-01900.
 20. DOORS SHALL COMPLY WITH ANY FURTHER REQUIREMENTS STATED IN CC-SPW-01800.
 21. DOOR SHALL OPEN OUTWARD FROM THE ABUTMENT GALLERY UNLESS SITE SPECIFIC CONSTRAINTS PREVENT THIS ARRANGEMENT.
 22. EXECUTION CLASS EXC.2 AS PER IS EN 1090.
 23. METHOD OF ERECTION TO BE AGREED WITH DESIGNER.
 24. THE PURPOSE OF THIS DETAIL IS TO ENSURE CONSISTENCY OF ABUTMENT GALLERY DOORS FOR STRUCTURES ON THE NATIONAL ROAD NETWORK.
 25. SURVEY TO BE CARRIED OUT TO CONFIRM REQUIRED DIMENSIONS PRIOR TO FABRICATION.
 26. FABRICATION DRAWING TO BE PROVIDED TO DESIGNER IN ADVANCE OF FABRICATION.



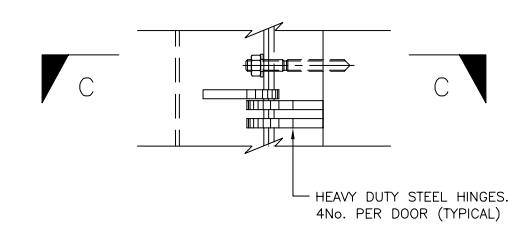
SECTION A-A



SECTION B-B



SECTION C-C



DETAIL 1 HEAVY DUTY HINGE



DOUBLE LEAF ABUTMENT GALLERY DOOR

ACTIVITY		PUBLICATION TITLE	
STANDARD CONSTRUCTION DETAILS (SCD)		DOUBLE LEAF ABUTMENT GALLERY DOOR	
STREAM	SHEET	HISTORICAL REFERENCE	DOCUMENTATION SET
STANDARD CONSTRUCTION DETAILS (SCD)	A3	N/A	STANDARDS
PUBLICATION DATE		PUBLICATION NUMBER	
FEBRUARY 2023		CC SCD 01851	