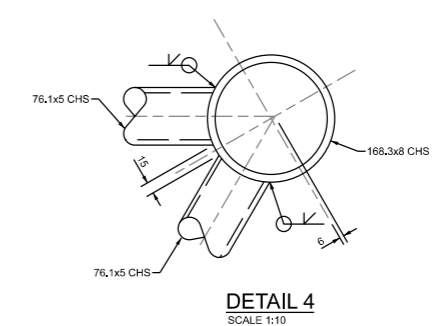
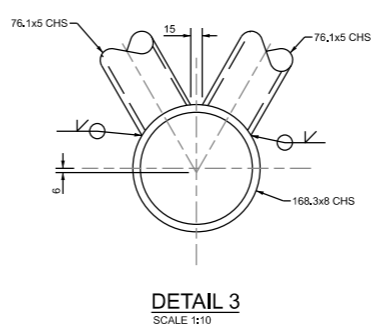
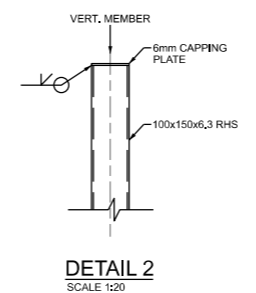
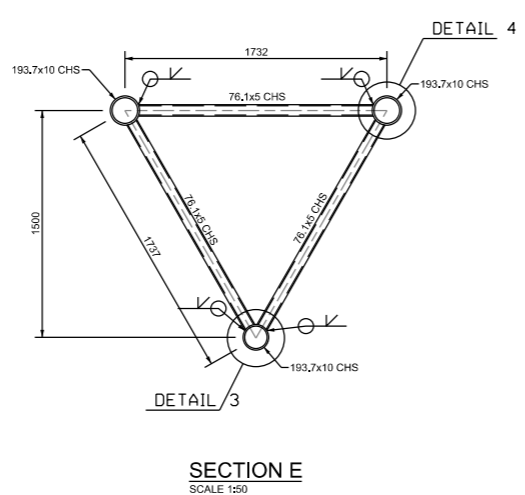
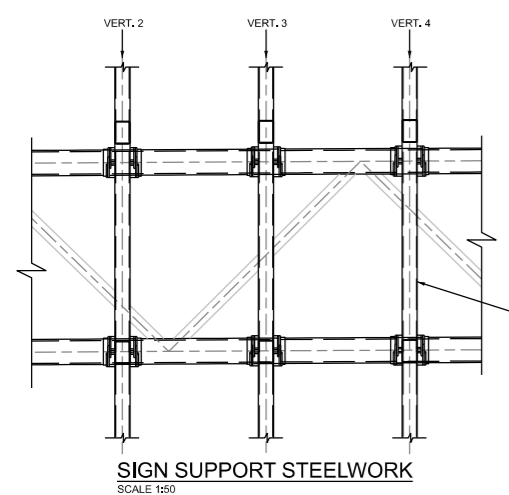
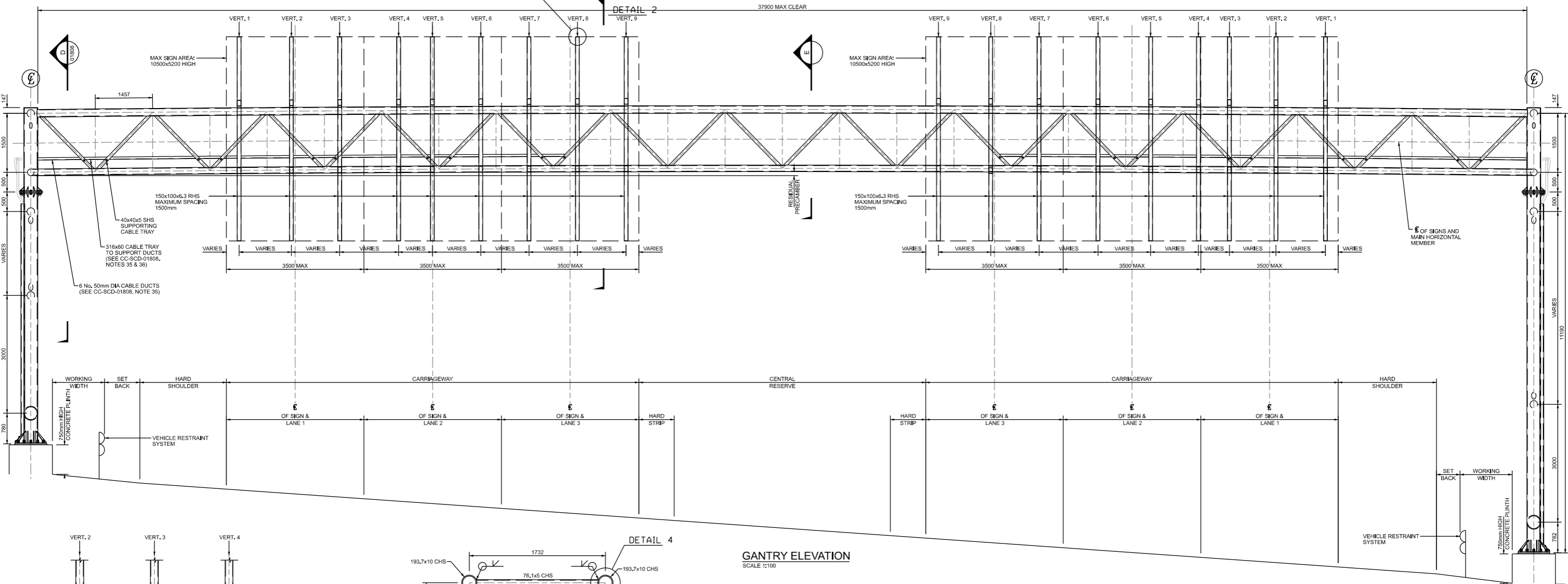
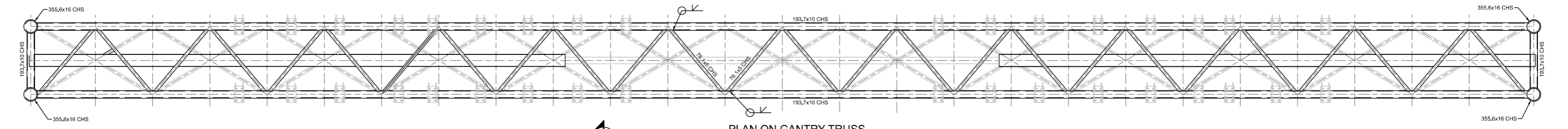


NOTE:
1. REFER TO CC-SCD-01808 FOR GENERAL NOTES.



PUBLICATION TITLE
GANTRY GROUP 3
GENERAL ARRANGEMENT OF GANTRY GROUP 3 SHEET 1 OF 3

ACTIVITY	PUBLICATION TITLE			PUBLICATION NUMBER		
STREAM	SHEET	HISTORICAL REFERENCE	DOCUMENTATION SET	PUBLICATION DATE	ACTIVITY	STREAM
STANDARD CONSTRUCTION DETAIL (SCD)	A3	RCD/1800/007	STANDARD	DECEMBER 2014	CC	SCD
						01807