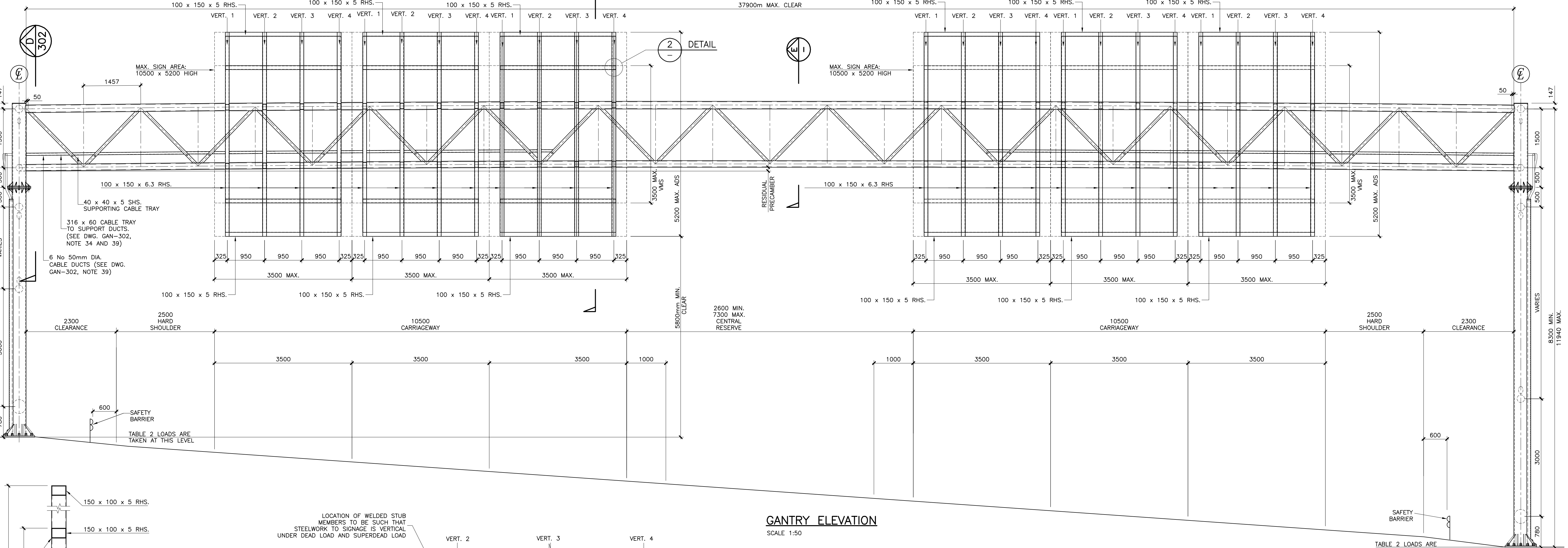
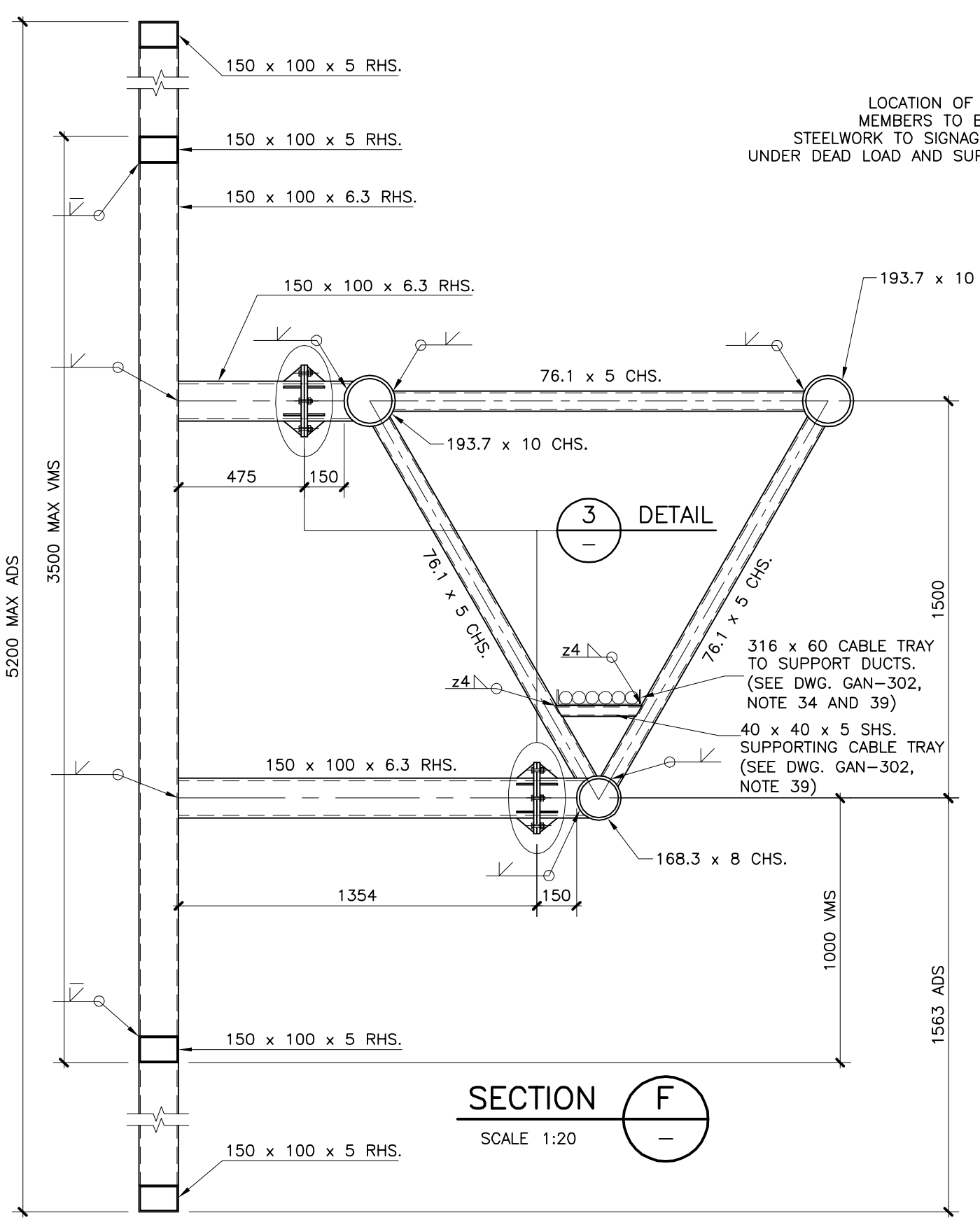


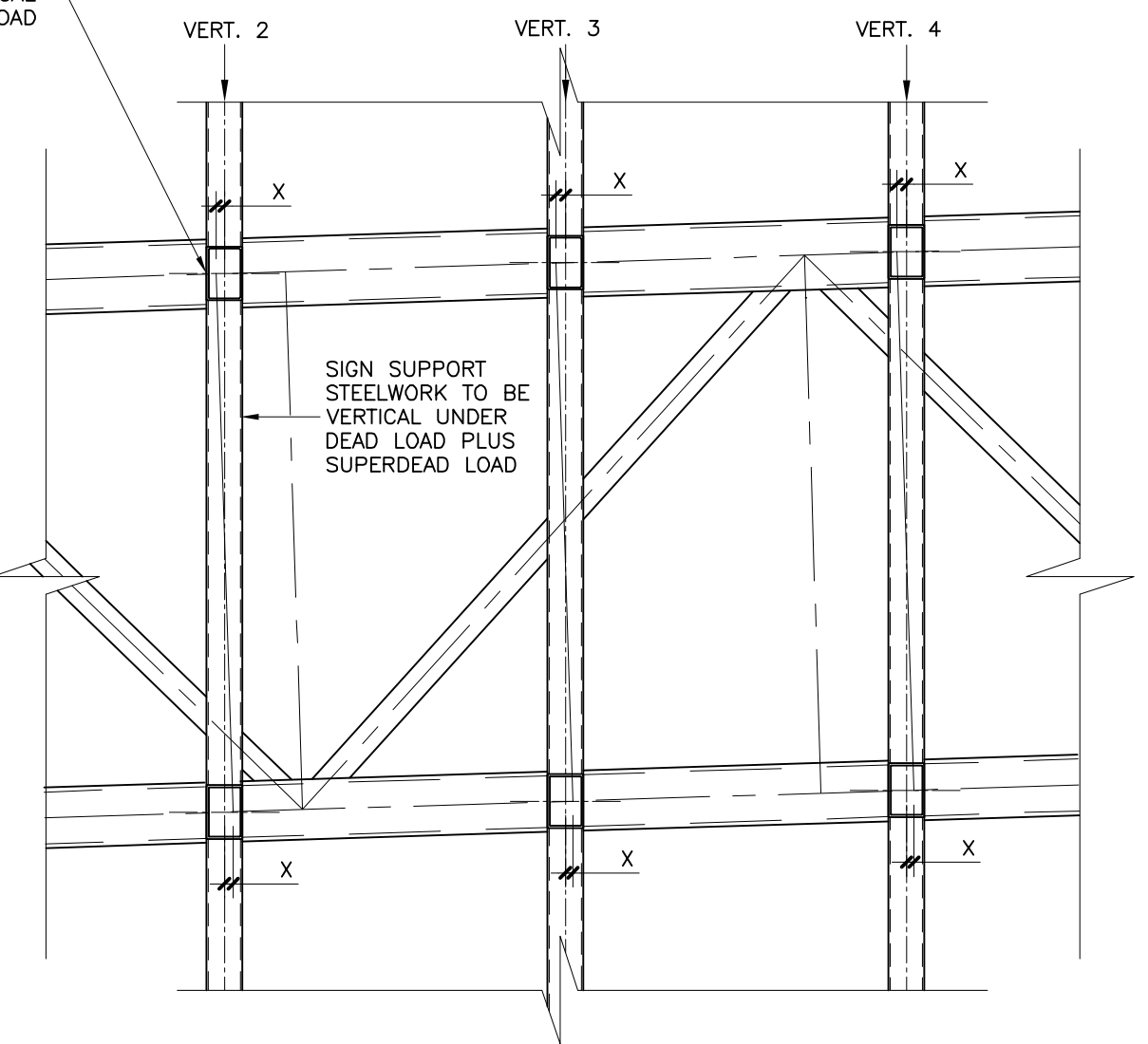
PLAN ON GANTRY TRUSS
SCALE 1:50



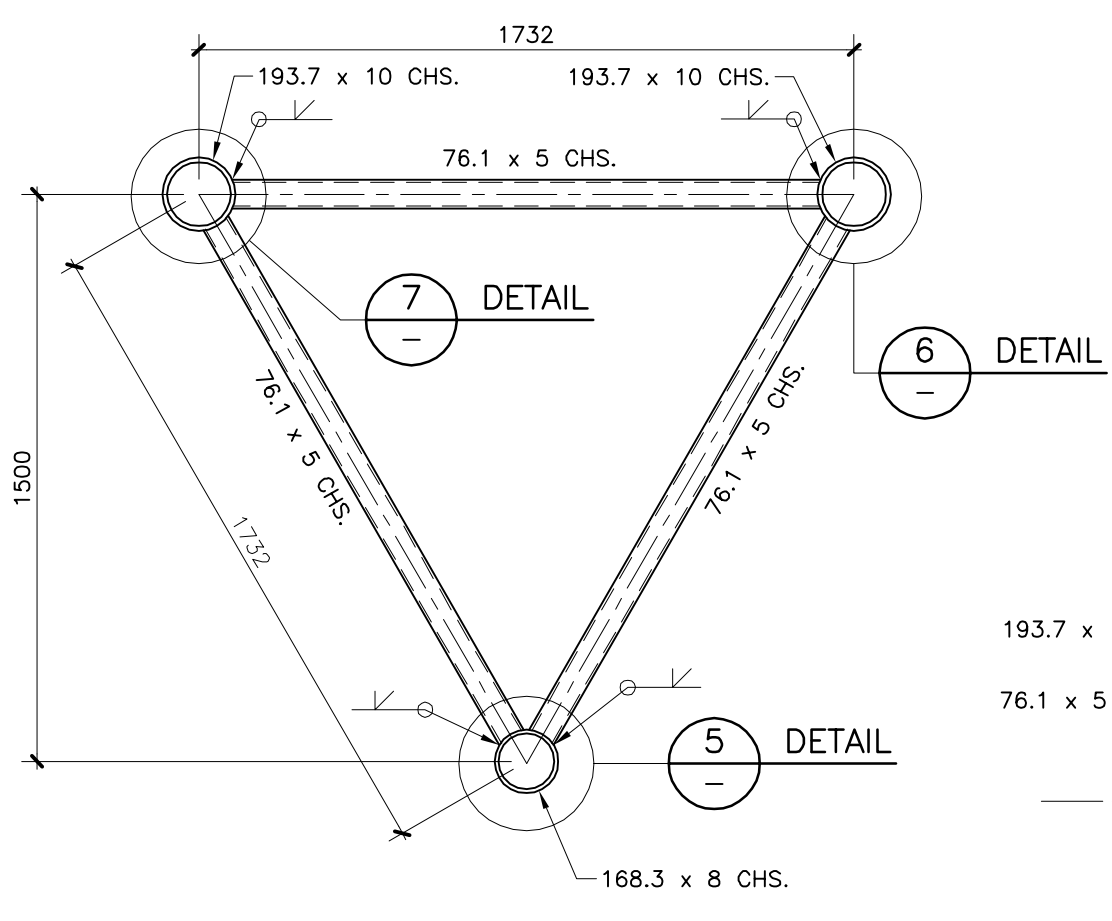
GANTRY ELEVATION
SCALE 1:50



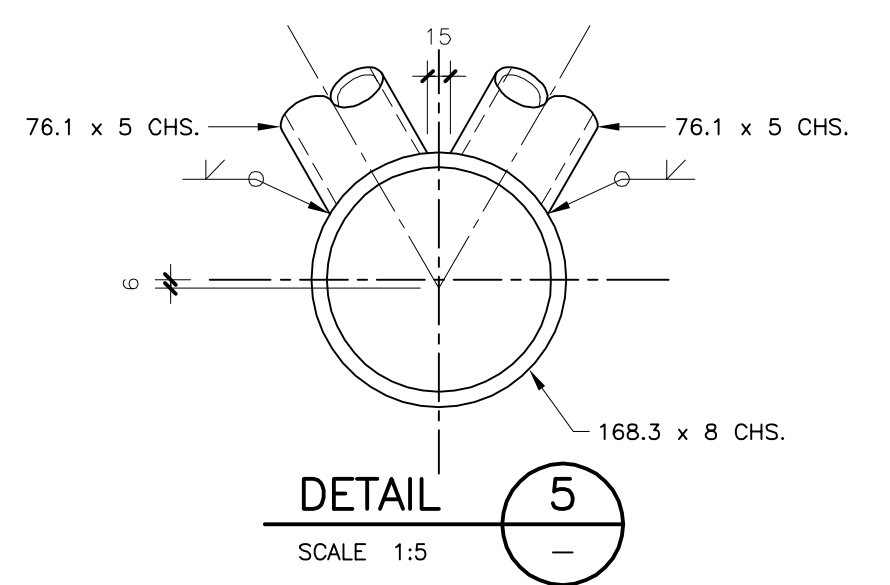
SECTION F
SCALE 1:20



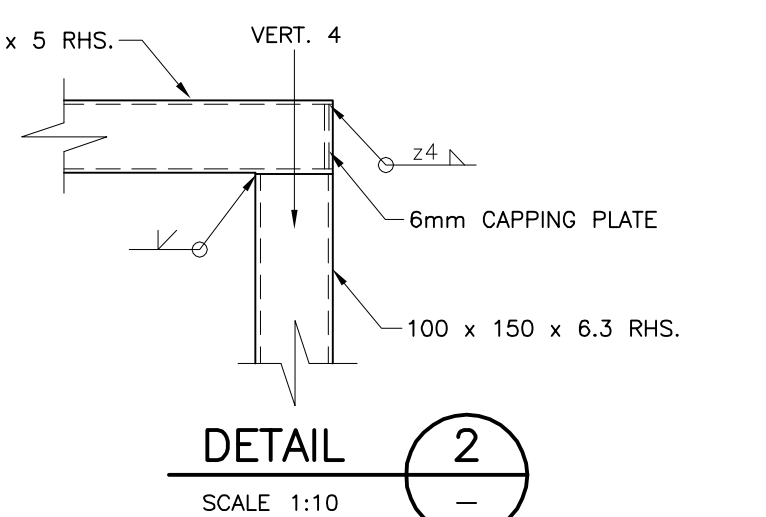
SIGN SUPPORT STEELWORK
SCALE 1:20



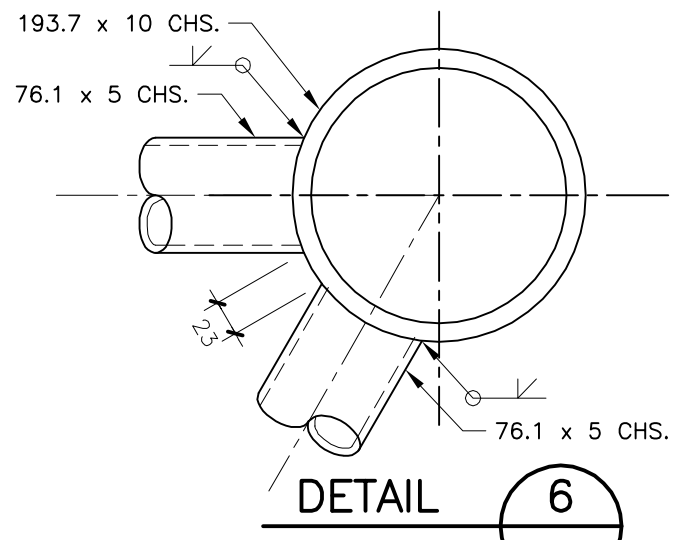
SECTION E
SCALE 1:20



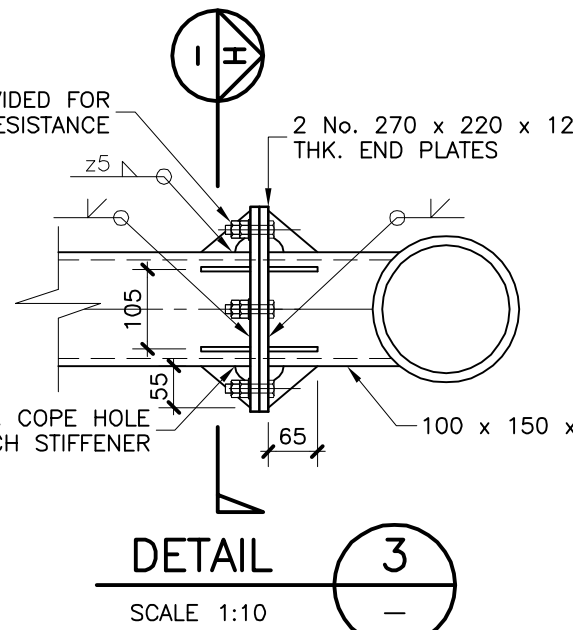
DETAIL 5
SCALE 1:5



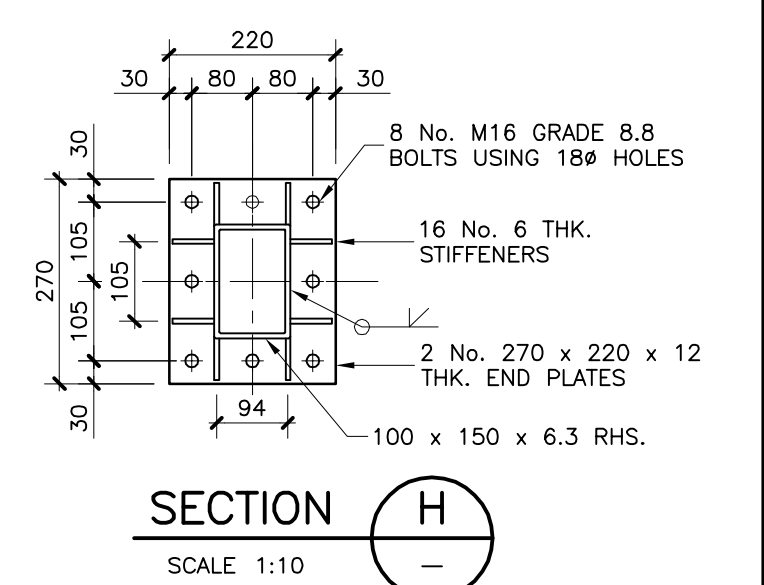
DETAIL 2
SCALE 1:10



DETAIL 6
SCALE 1:5 (DETAIL 7 SIMILAR BUT HANDED)



DETAIL 3
SCALE 1:10



SECTION H
SCALE 1:10