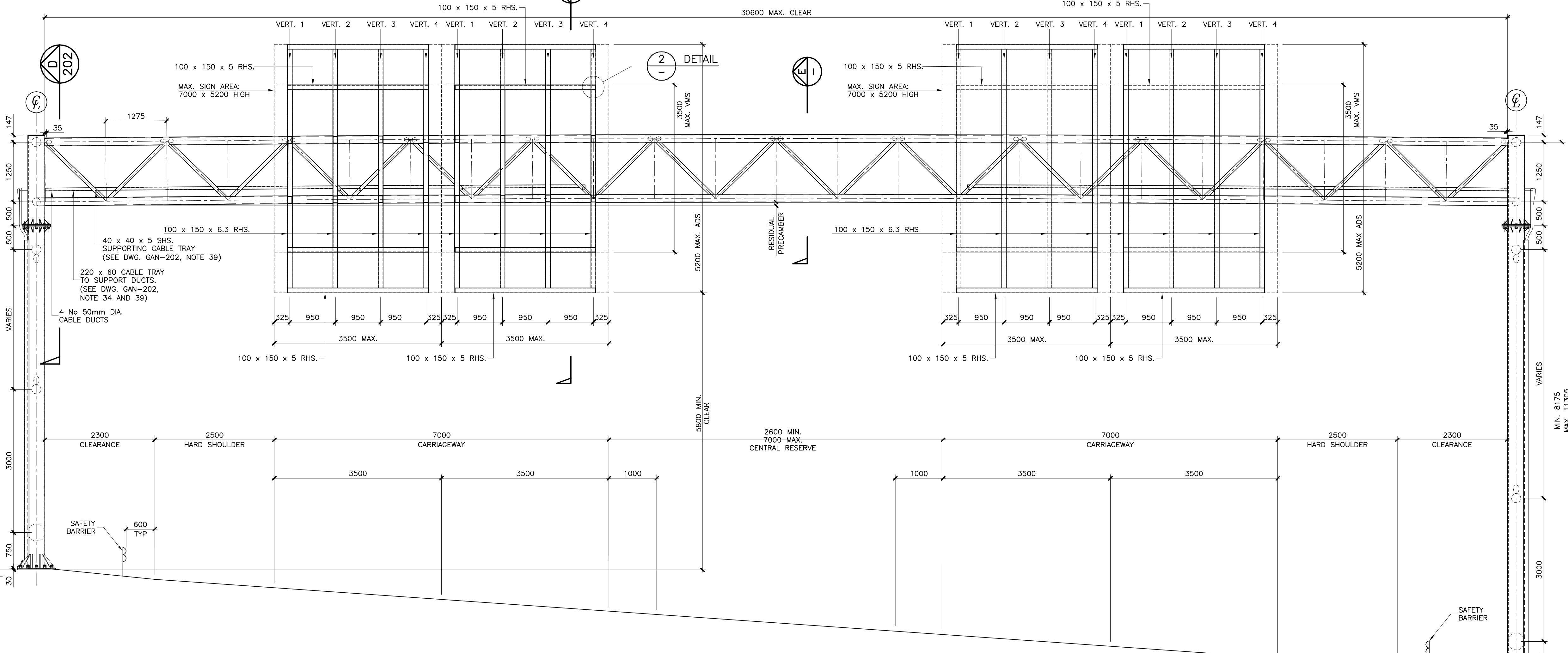


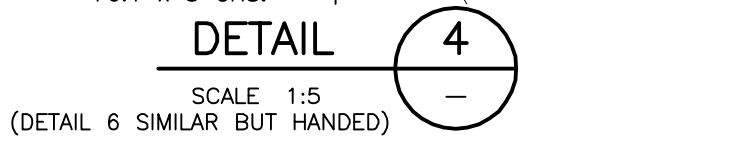
PLAN ON GANTRY TRUSS

SCALE 1:50



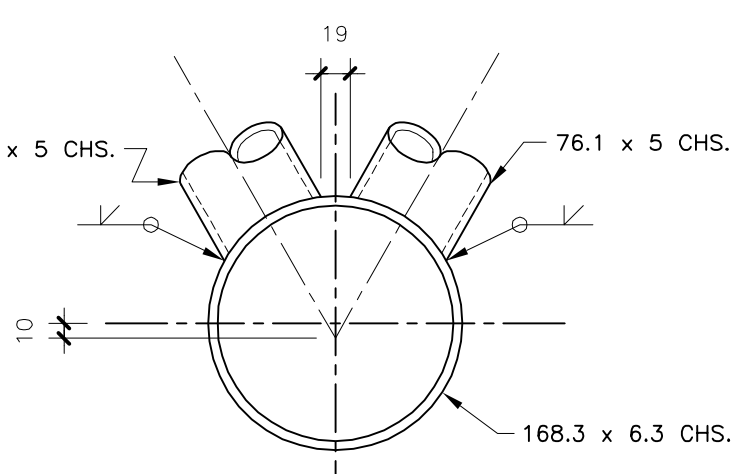
GANTRY ELEVATION

SCALE 1:100



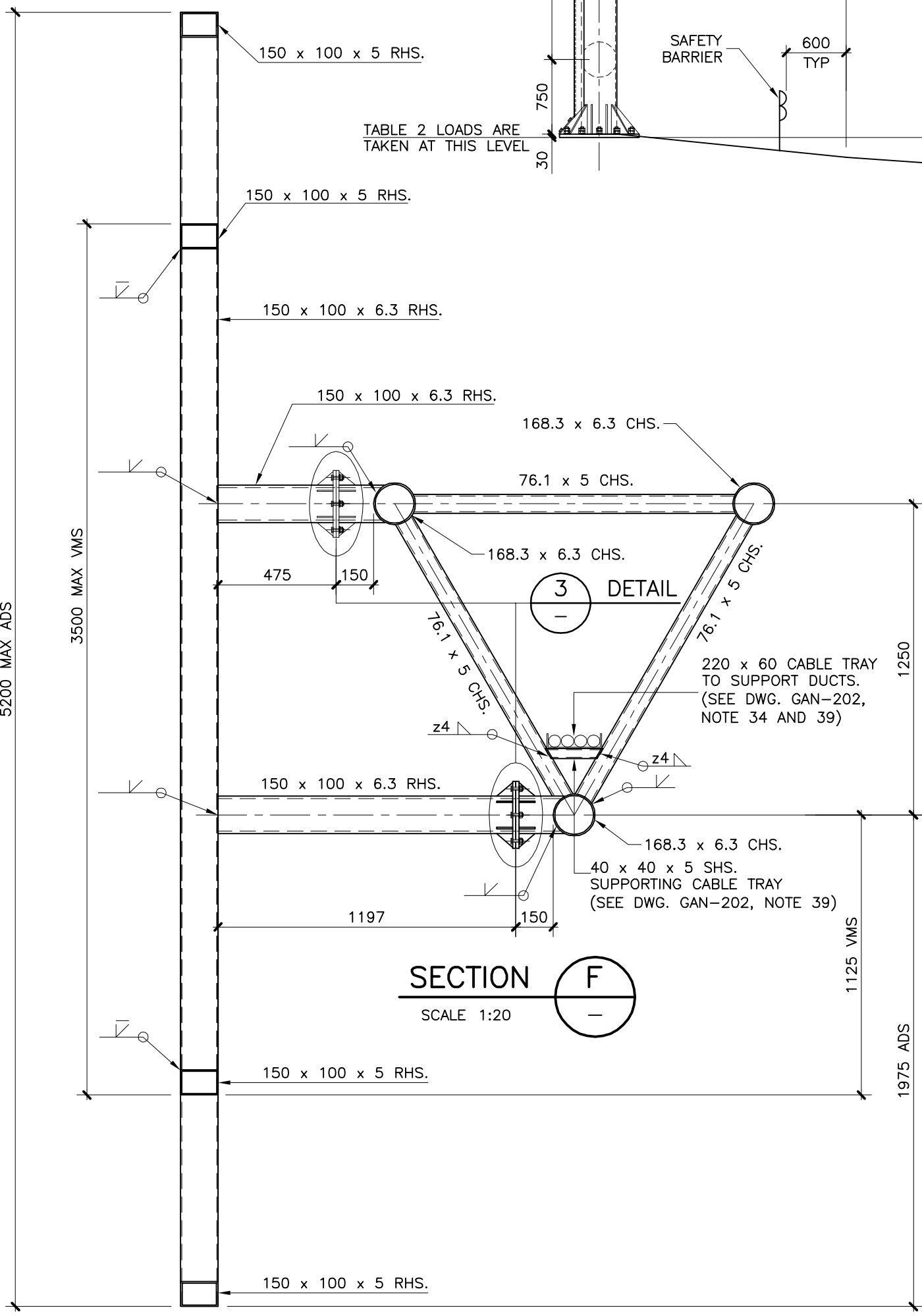
DETAIL 4

SCALE 1:5
(DETAIL 6 SIMILAR BUT HANDED)



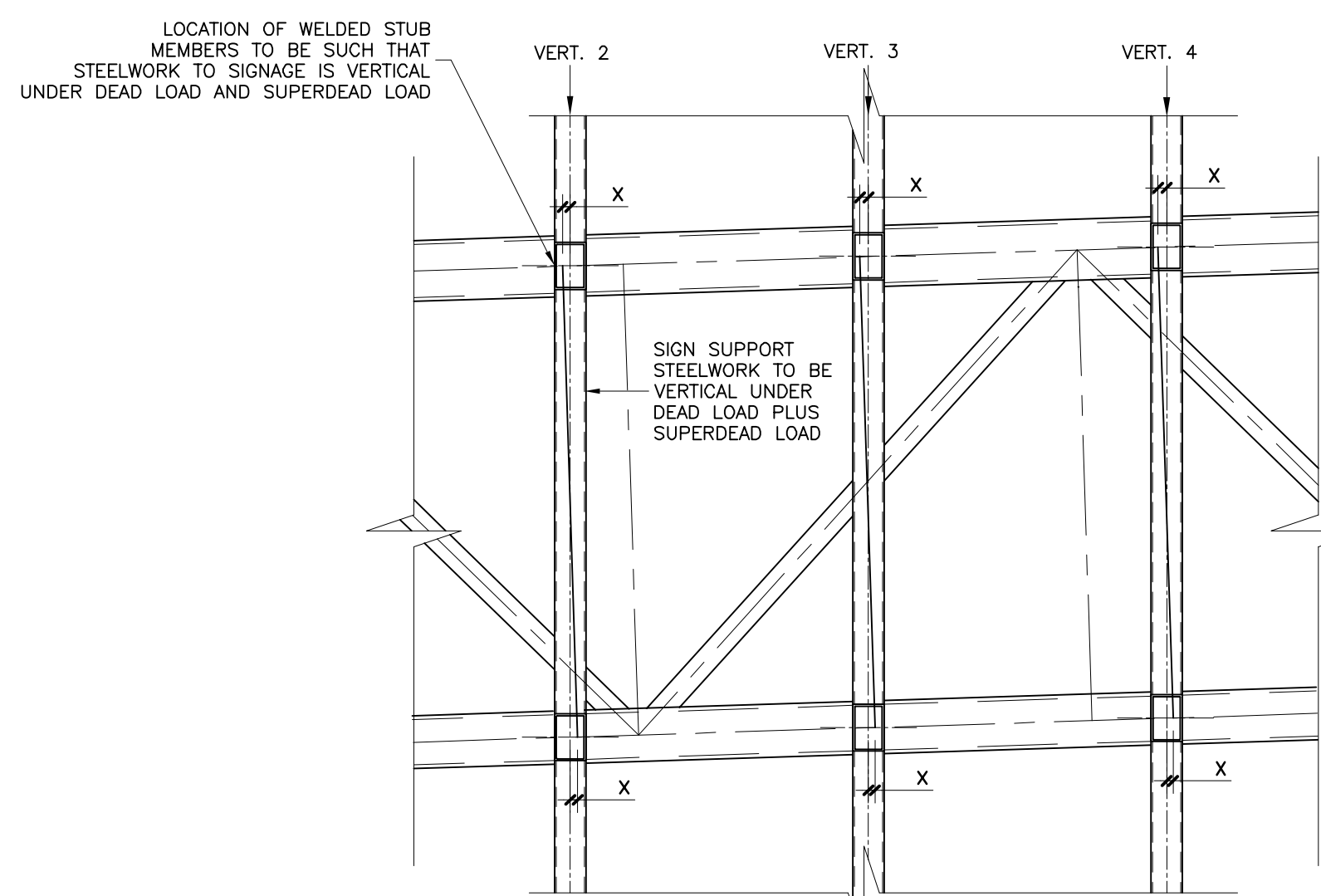
DETAIL 5

SCALE 1:5



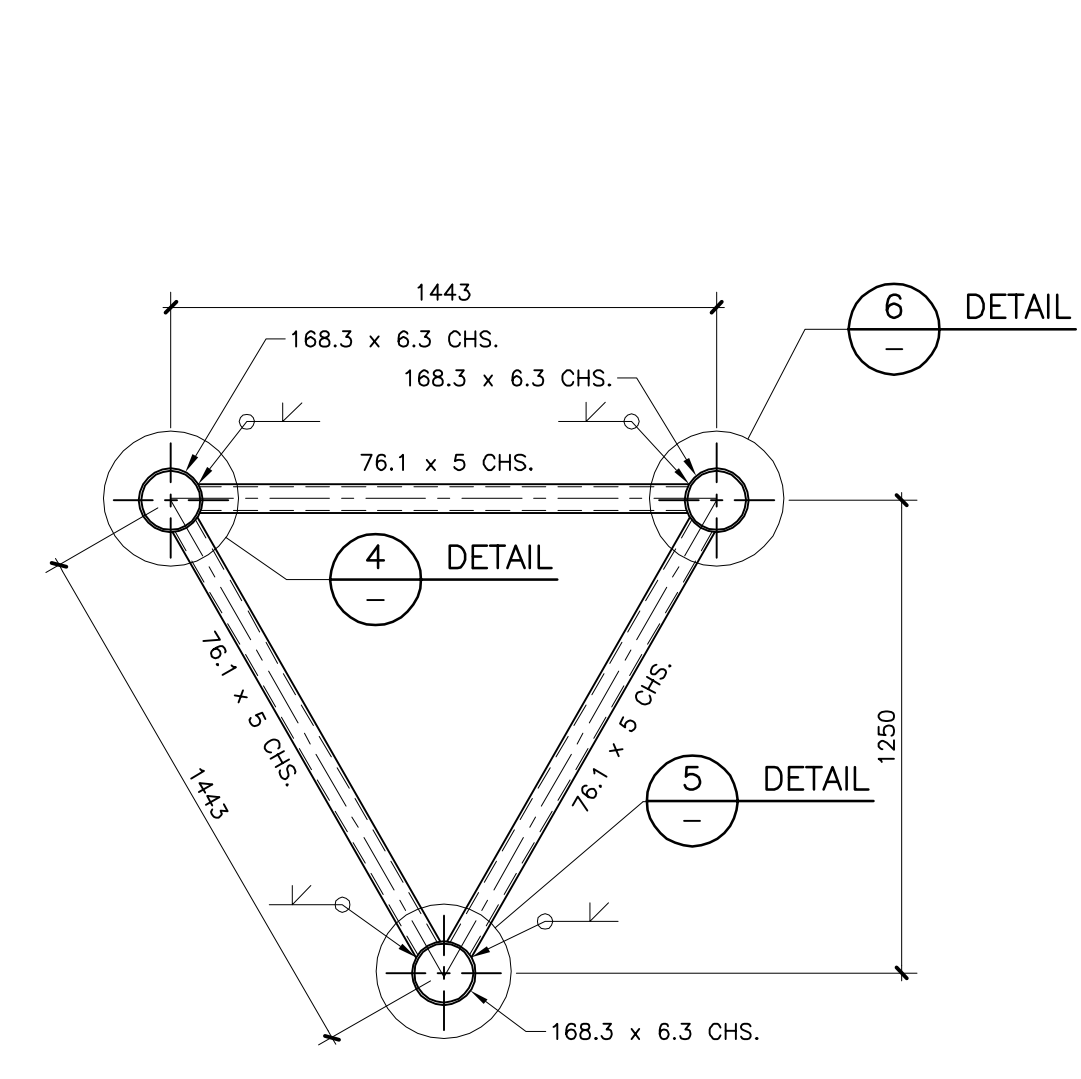
SECTION F

SCALE 1:20



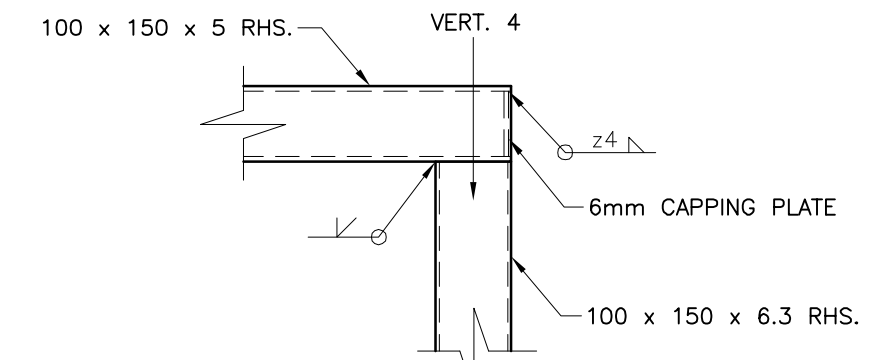
SIGN SUPPORT STEELWORK

SCALE 1:20



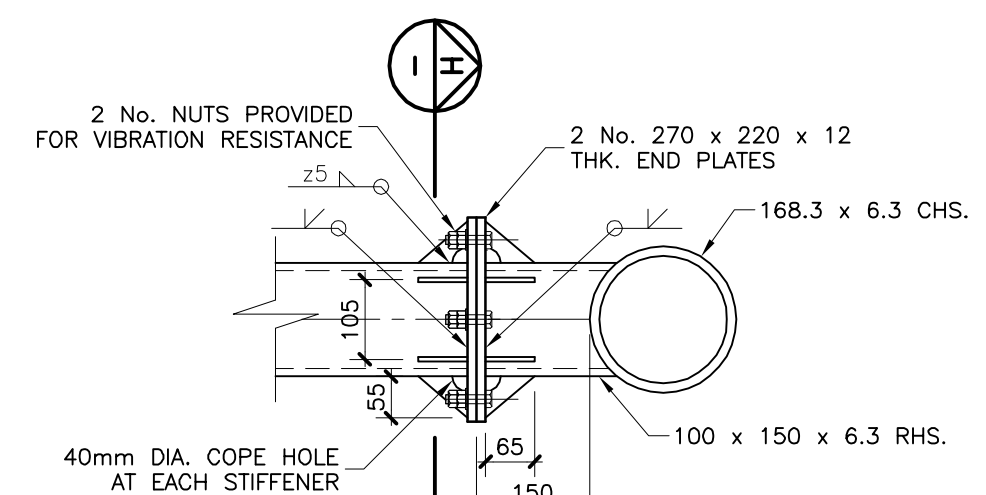
SECTION E

SCALE 1:20



DETAIL 2

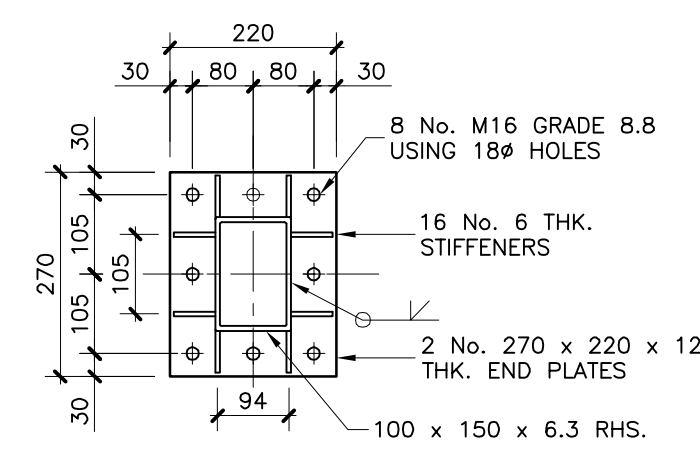
SCALE 1:10



DETAIL 3

SCALE 1:20

NOTES
1) REFER TO DRAWING GAN-202 FOR GENERAL NOTES.



SECTION H

SCALE 1:20