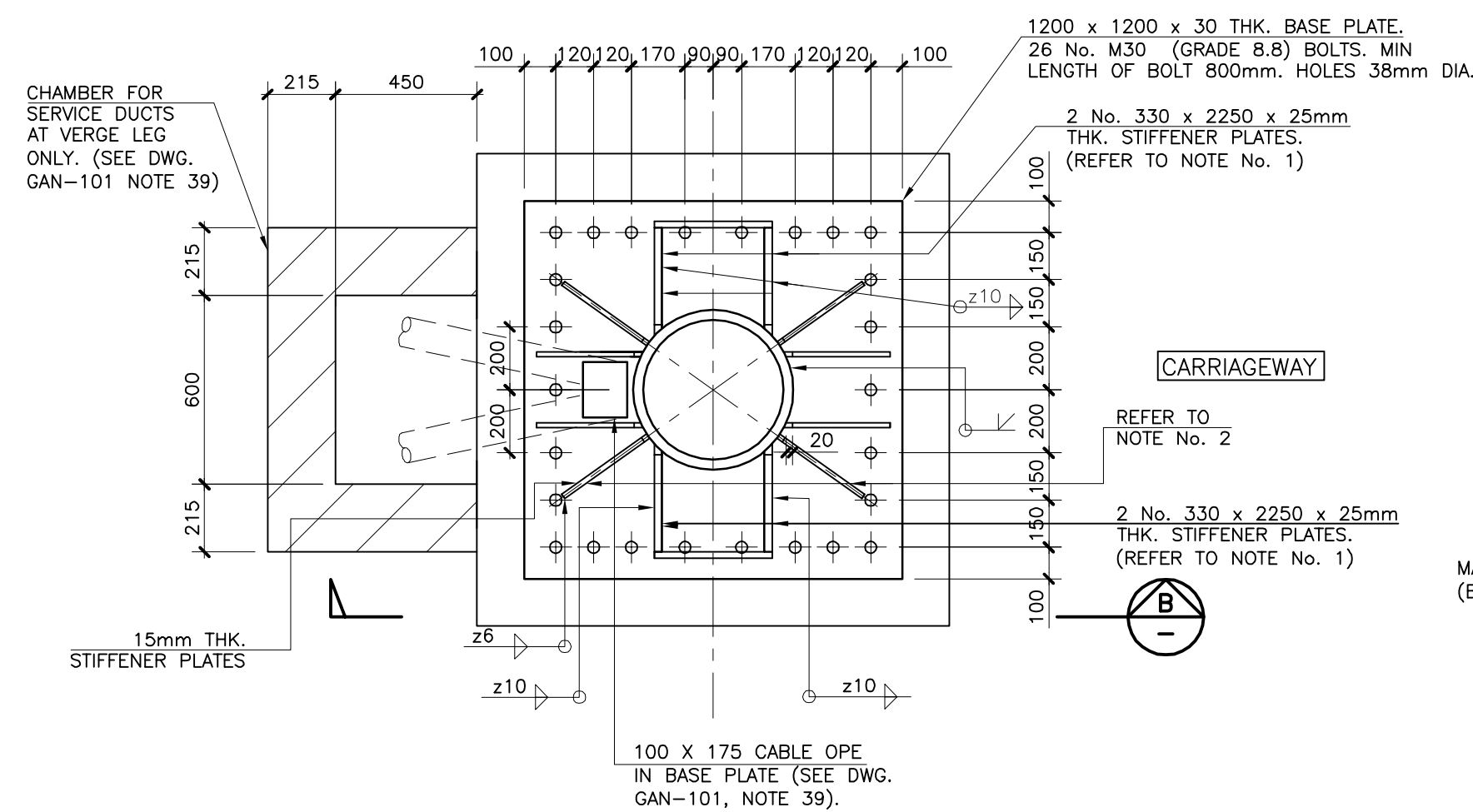
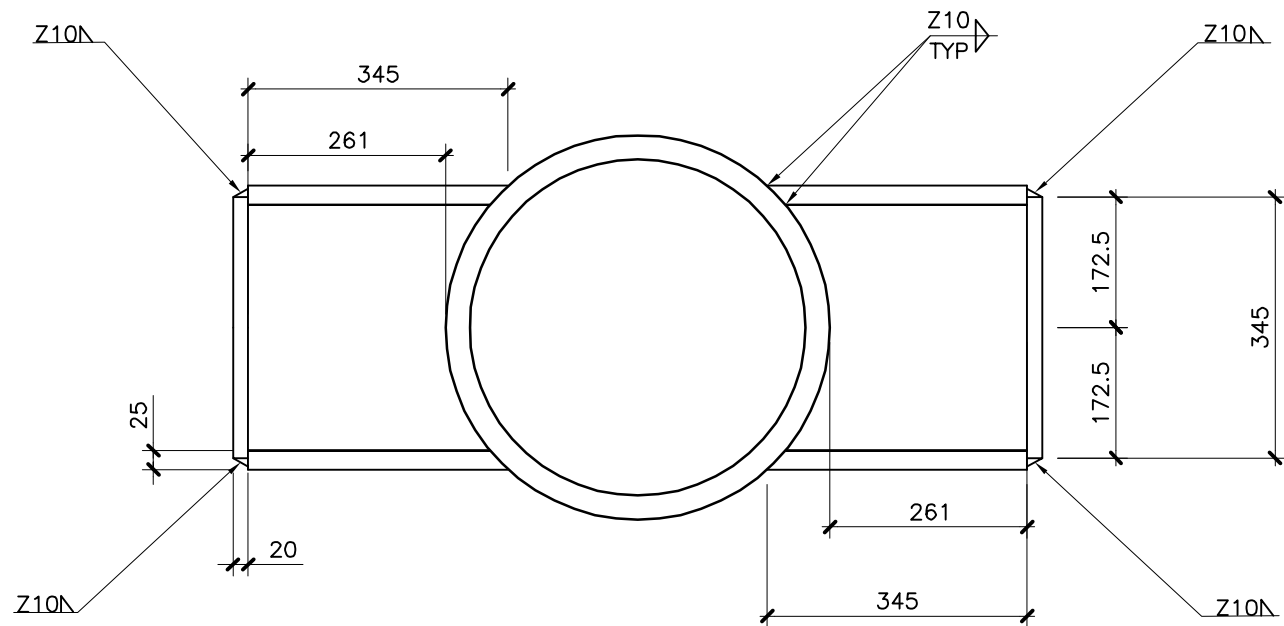


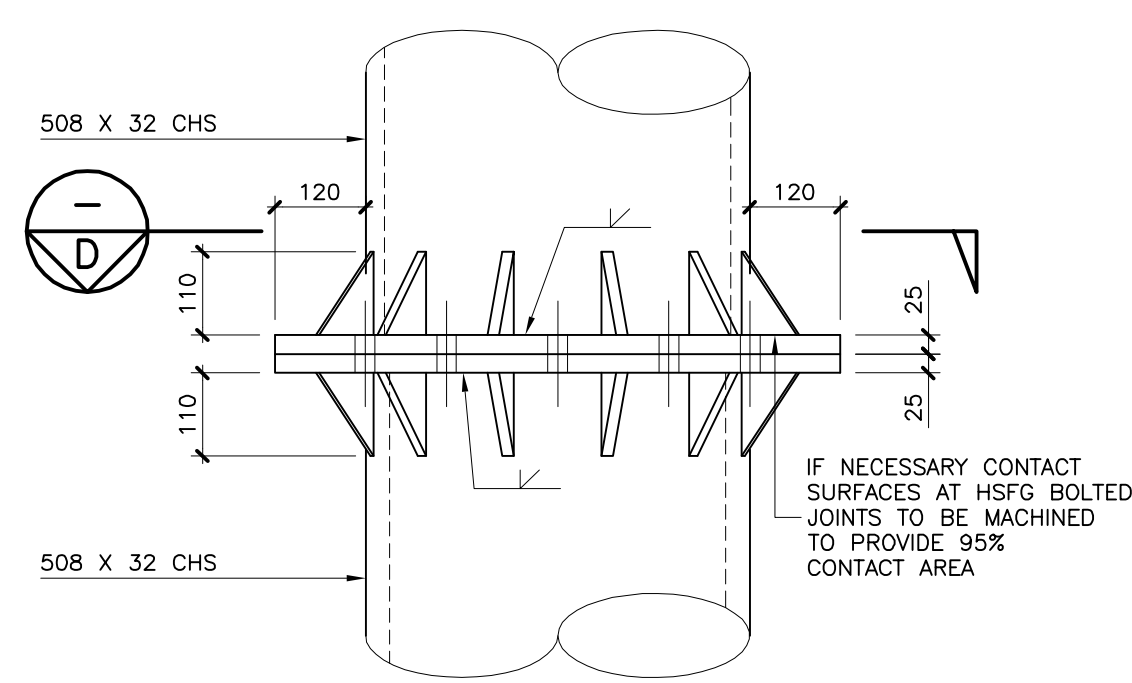
SECTION B
SCALE 1:20



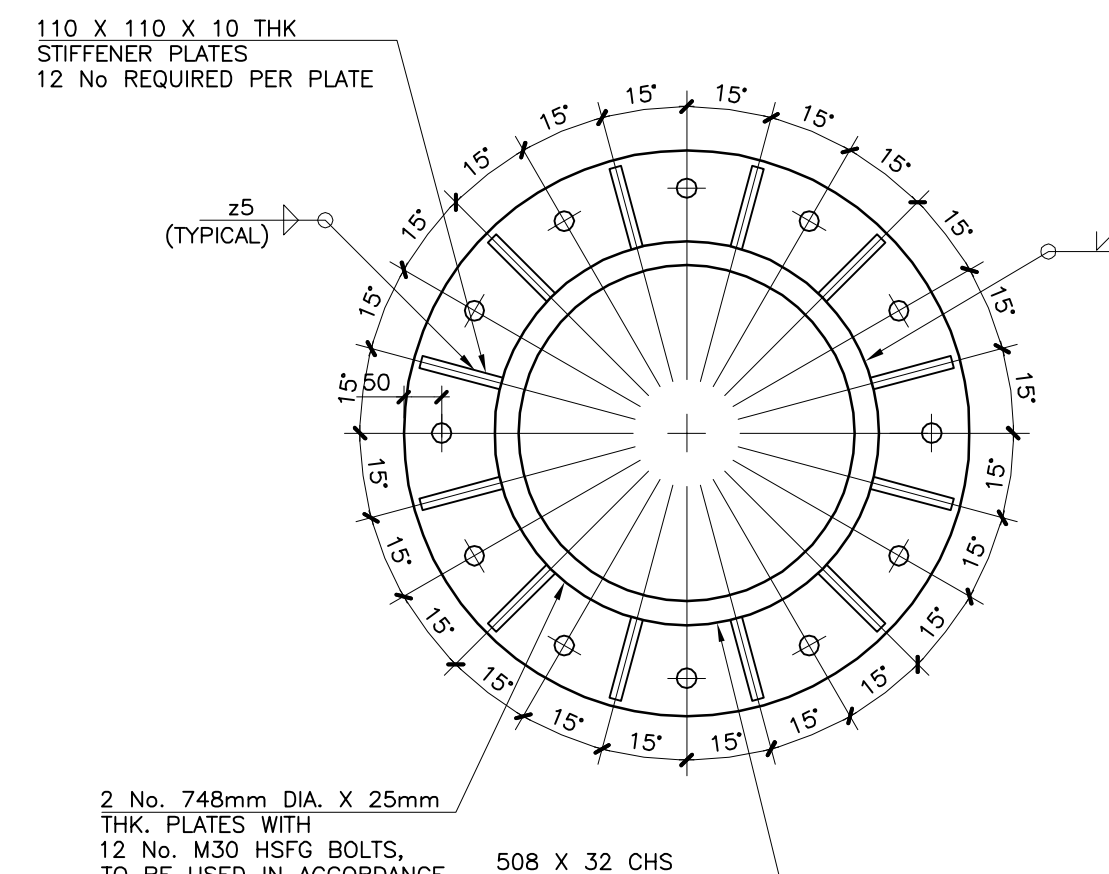
PLAN ON BASE PLATE
SCALE 1:20



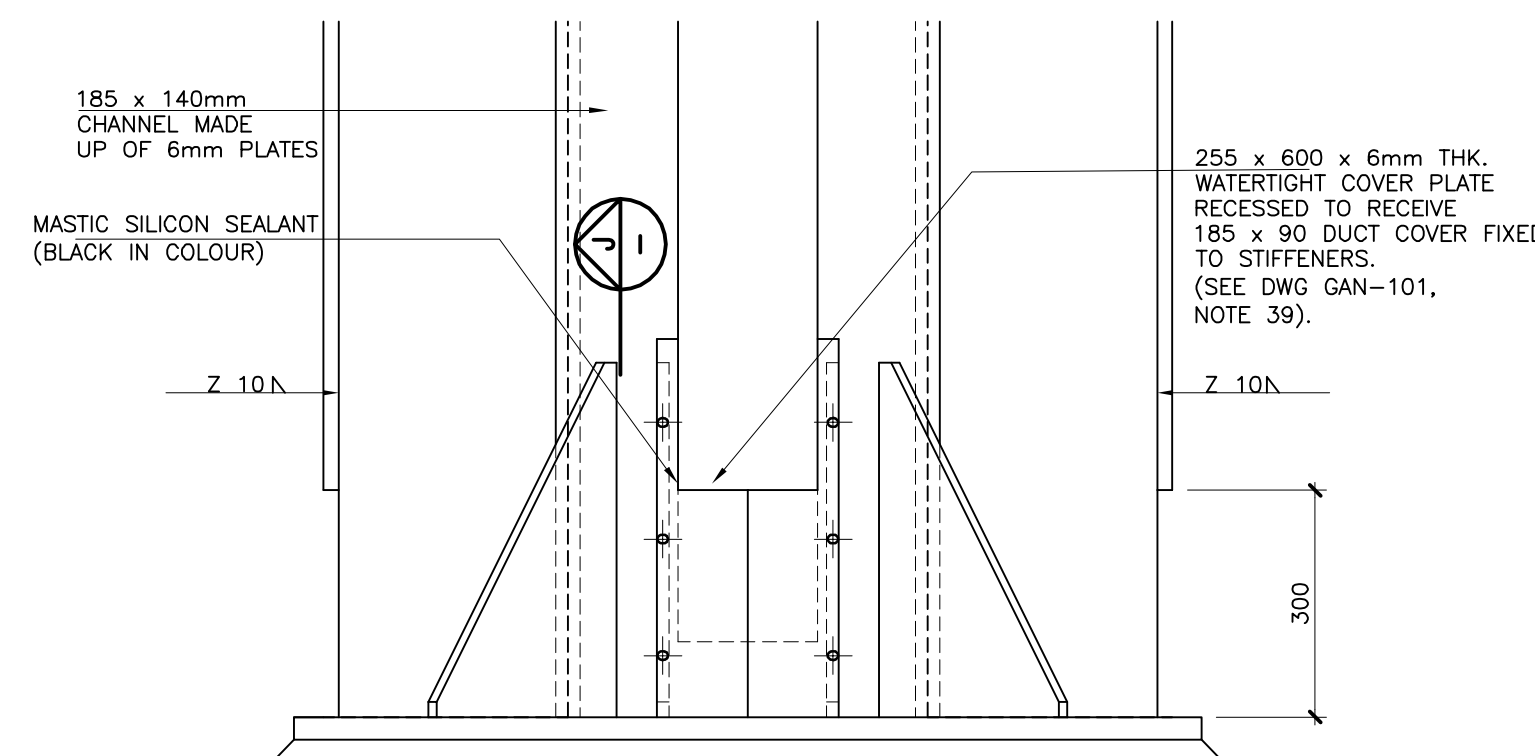
SECTION K
SCALE 1:10



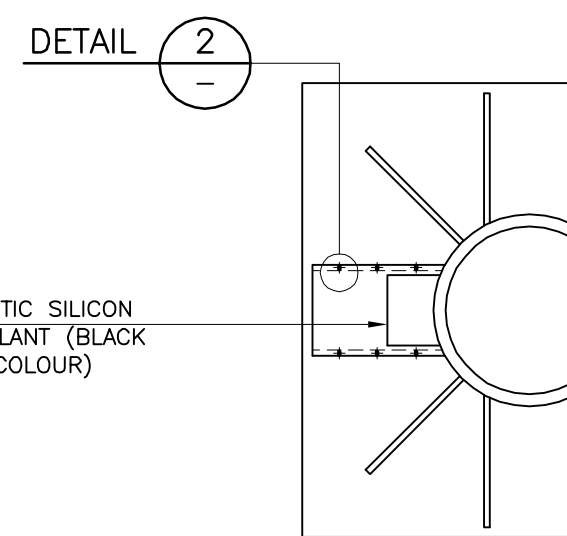
DETAIL 4
SCALE 1:10



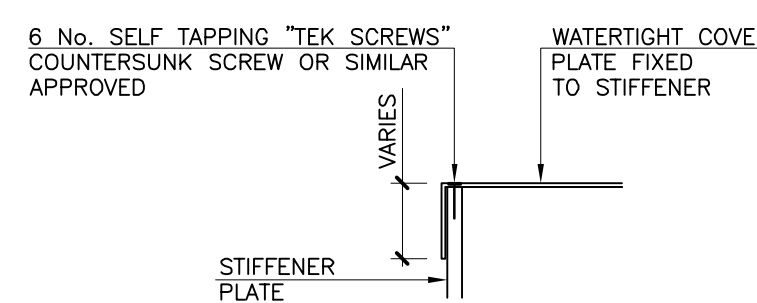
SECTION D
SCALE 1:10



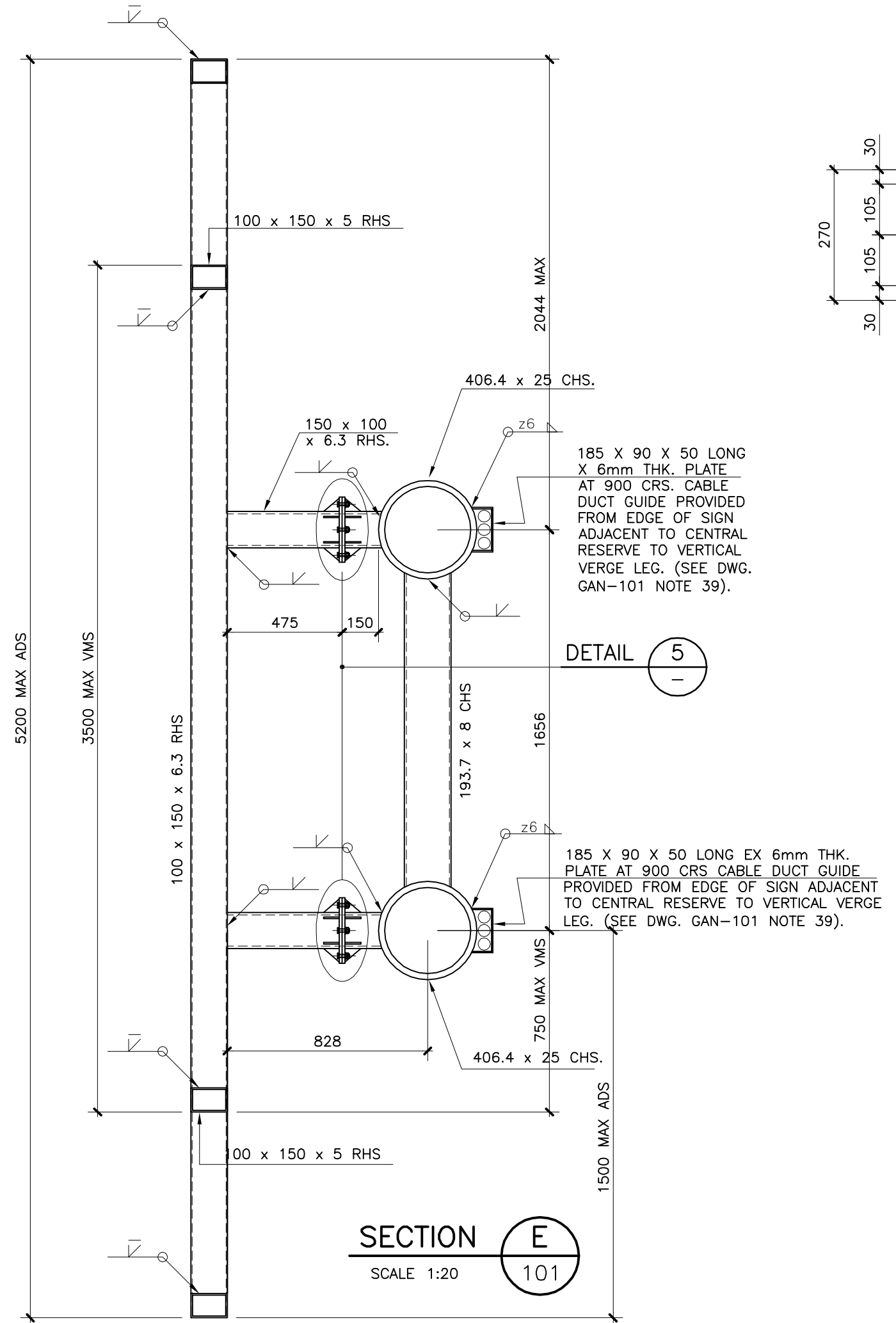
DETAIL 3
SCALE 1:10



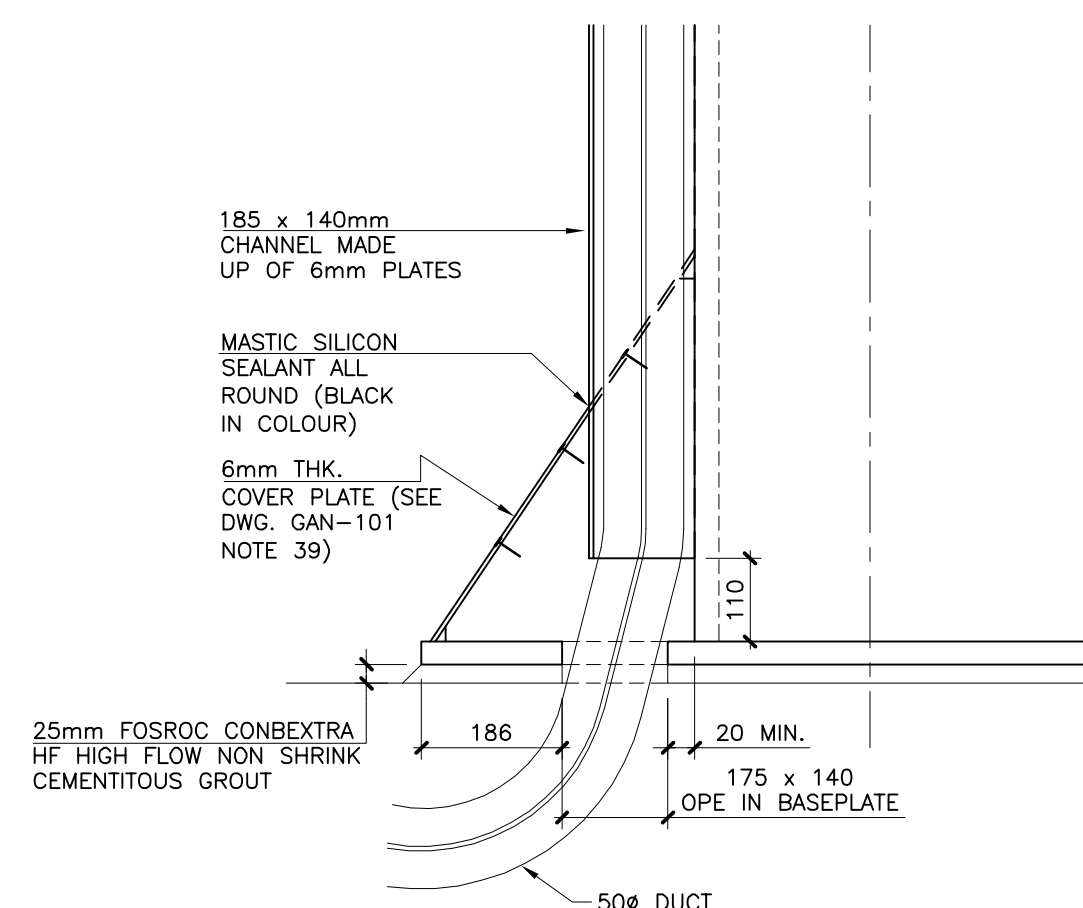
DETAIL 2
SCALE 1:20



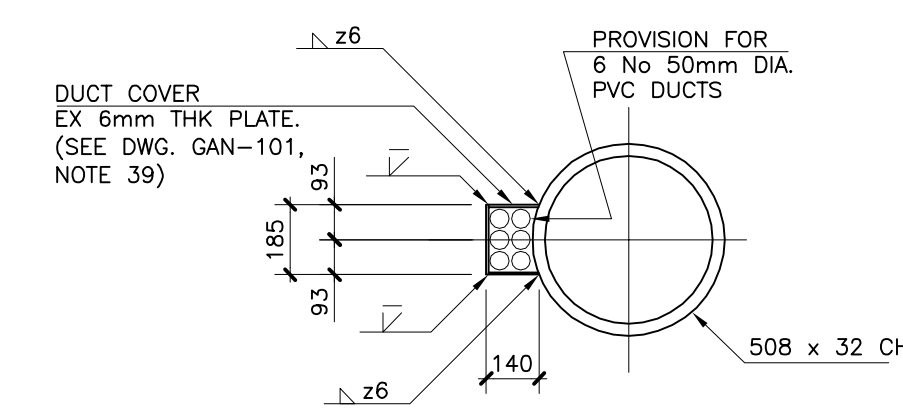
DETAIL 1
SCALE 1:10



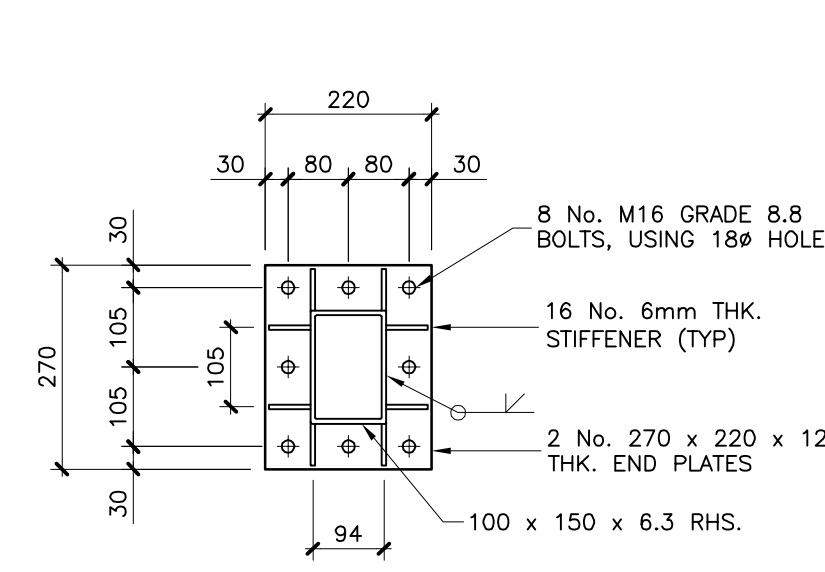
SECTION E
SCALE 1:20



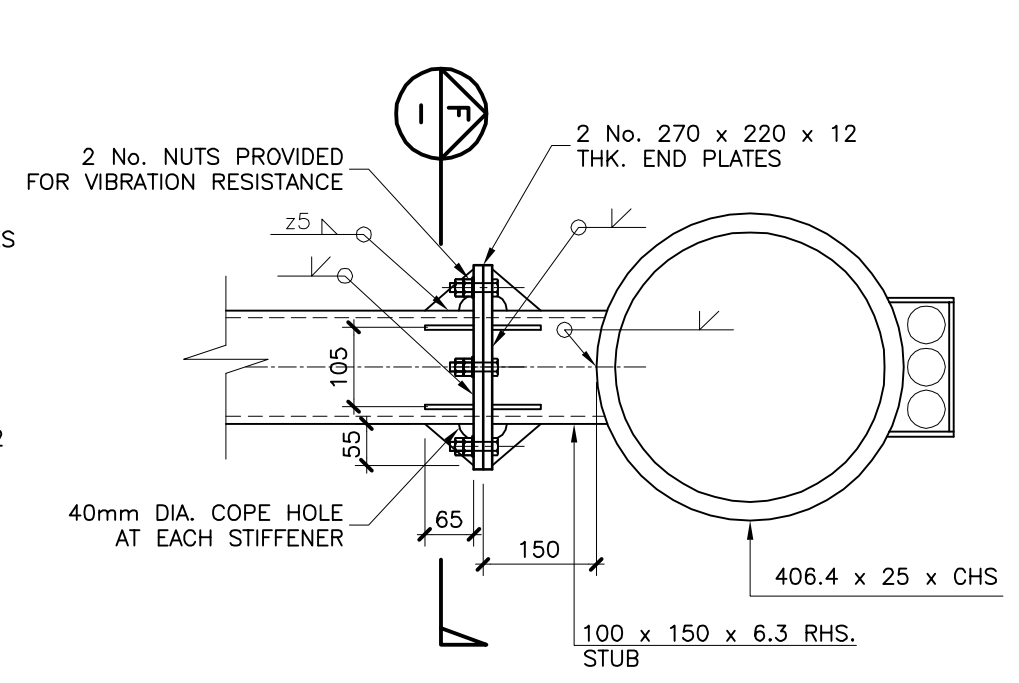
SECTION J
SCALE 1:10



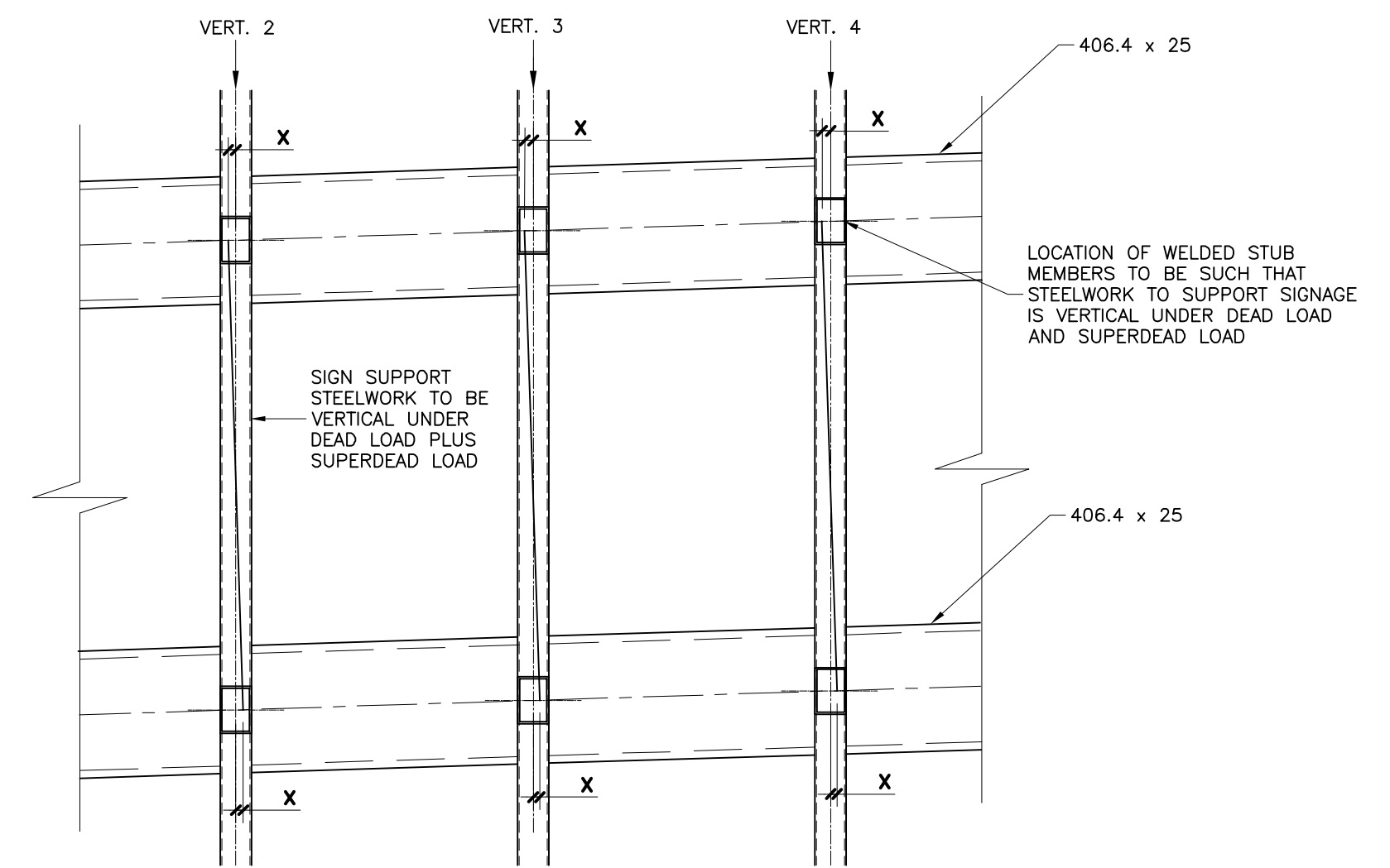
SECTION C
SCALE 1:20



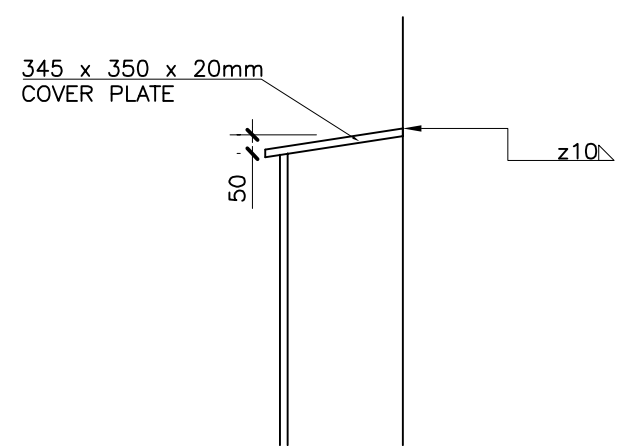
SECTION F
SCALE 1:10



DETAIL 5
SCALE 1:10



SIGN SUPPORT STEELWORK
SCALE 1:20



DETAIL 6
SCALE 1:20