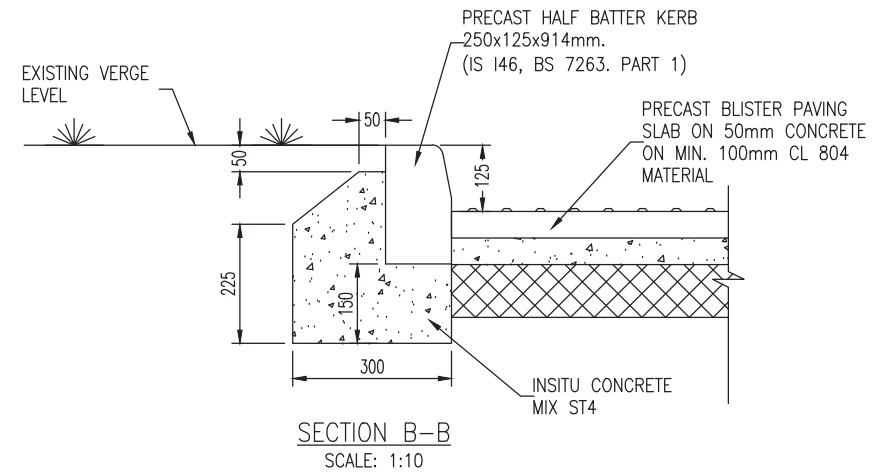
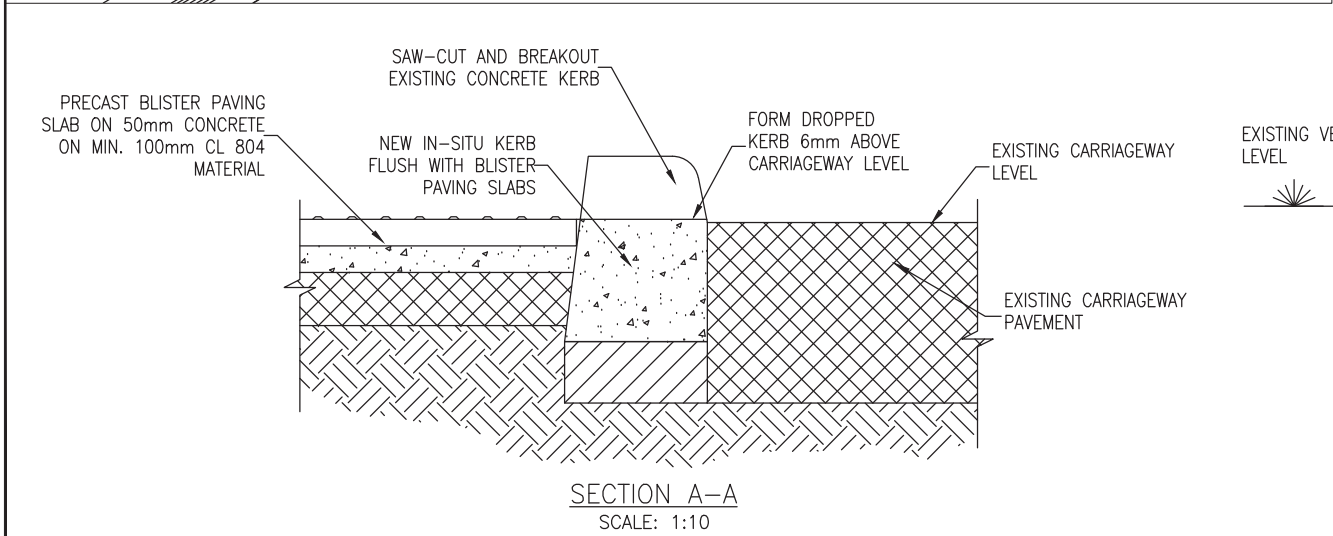


NOTES:

1. NOT TO SCALE. ALL DIMENSIONS IN MILLIMETRES.
2. FOR FURTHER TELEPHONE INSTALLATION DETAILS REFER TO:
 - DRAWING RCD/1500/060 FOR TELEPHONE INSTALLATION WITHOUT SAFETY BARRIER
 - DRAWING RCD/1500/061 FOR TELEPHONE INSTALLATION WITH DUCTING/CHAMBER DETAILS
 - DRAWING RCD/1500/062 FOR TELEPHONE INSTALLATION BEHIND SAFETY BARRIER
 - DRAWING RCD/1500/063 FOR BLISTER SURFACE PAVING SLAB
 - MCDRW 1500 SERIES.



NOT TO SCALE

	ROAD CONSTRUCTION DETAILS	INSTALLATION DRAWING TCC	ERT PLINTH – LEVEL WITH ROAD SURFACE AND KERB AROUND PLINTH TO MAINTAIN DRAINAGE		Drawing No.
			P1	10/13	RCD/1500/064
			Issue	Date	