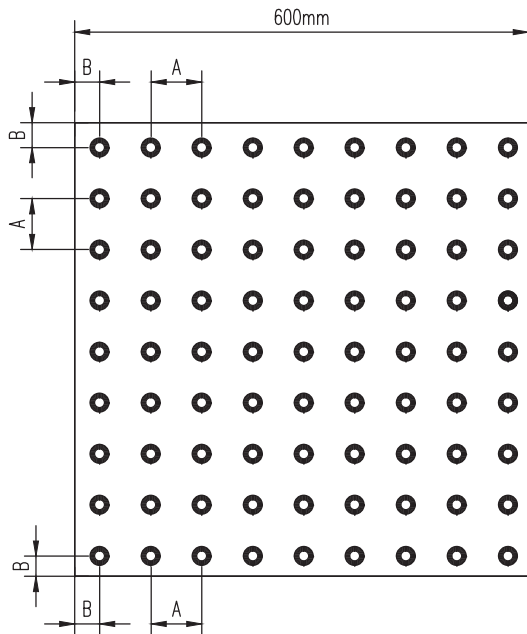
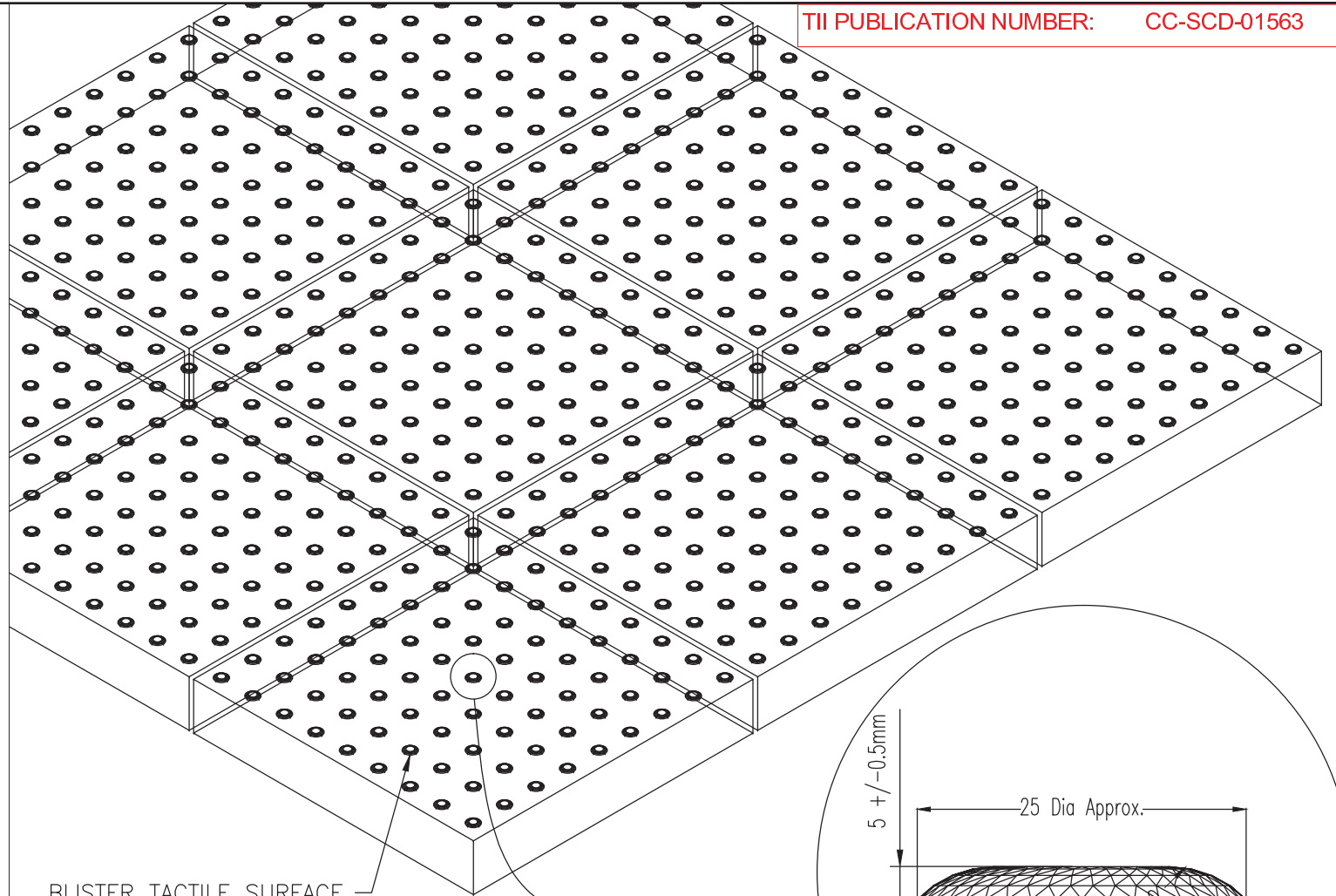




ELEVATION VIEW

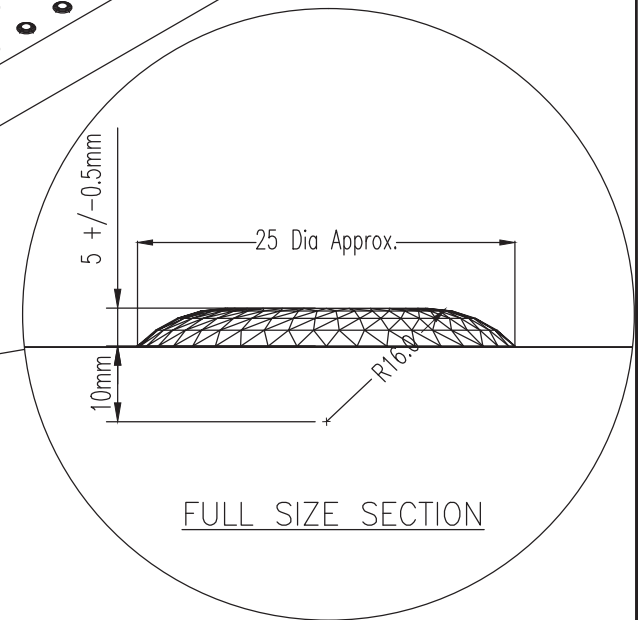


PLAN VIEW



BLISTER TACTILE SURFACE

ISOMETRIC VIEW



FULL SIZE SECTION

SIZE	PITCH DIMENSIONS	
	A	B
3600mm <sup>2</sup>	66.75	33.0

NOT TO SCALE

P1	10/13
Issue	Date