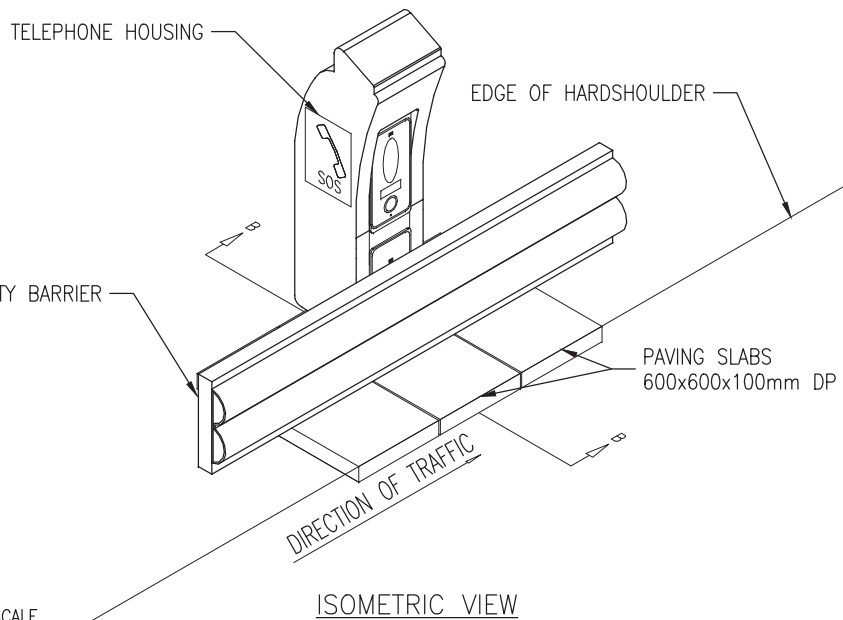


NOTES:

1. NOT TO SCALE. ALL DIMENSIONS IN MILLIMETRES.
2. THE EMERGENCY ROADSIDE TELEPHONE SHALL BE SET IN A 600x600x200mm ST2 CONCRETE BASE TO CLAUSE 2602.
3. ALL TOPSOIL AND/OR ORGANIC MATERIAL SHALL BE REMOVED. A PLATFORM SHALL BE PREPARED OF SIMILAR STANDARD TO THE SUB-FORMATION OF THE ADJACENT CARRIAGEWAY.
4. ALL PAVING SLABS SHALL BE LAID ON 150mm SUB-BASE COMPLYING WITH CLAUSE 804 AND COMPACTED IN ACCORDANCE WITH CLAUSE 802.
5. AS INSTALLED CLEARANCE OF 50-150mm (50 PREFERRED) SHALL BE PROVIDED BETWEEN THE BACK OF THE SAFETY BARRIER AND THE TELEPHONE HOUSING. NO SECTION OF THE TELEPHONE HOUSING SHALL BE INSTALLED OVER THE SAFETY BARRIER.
6. WHERE A FILTER DRAIN IS INCLUDED IN THE VERGE, THE FILTER DRAIN SHALL EXTEND TO THE UNDERSIDE OF THE HARDSTANDING AND BE SEPARATED FROM THE HARDSTANDING BY ITS GEOTEXTILE MEMBRANE.
7. THE 50mm $\phi$  DUCT THROUGH THE CONCRETE BASE SHALL BE LEFT 100mm PROUD OF THE SURFACE OF THE BASE.
8. THE PAVING SLAB/ERT HARDSTANDING AREA SHALL BE LEVEL AND CONTINUOUS WITH THE HARD SHOULDER IN FRONT OF EACH ERT LOCATION. ANY GAPS BETWEEN THE PAVING SLAB/ERT HARDSTANDING AREA SHALL BE FILLED WITH BITUMINOUS MATERIAL.
9. FOR FURTHER TELEPHONE INSTALLATION DETAILS REFER TO:

- DRAWING RCD/1500/060 FOR TELEPHONE INSTALLATION WITHOUT SAFETY BARRIER
- DRAWING RCD/1500/061 FOR TELEPHONE INSTALLATION IN CONJUNCTION WITH LONGITUDINAL DUCTING/CHAMBERS
- DRAWING RCD/1500/063 FOR BLISTER SURFACE PAVING SLAB
- MCDRW 1500 SERIES.

TII PUBLICATION NUMBER: CC-SCD-01562



NOT TO SCALE

ISOMETRIC VIEW