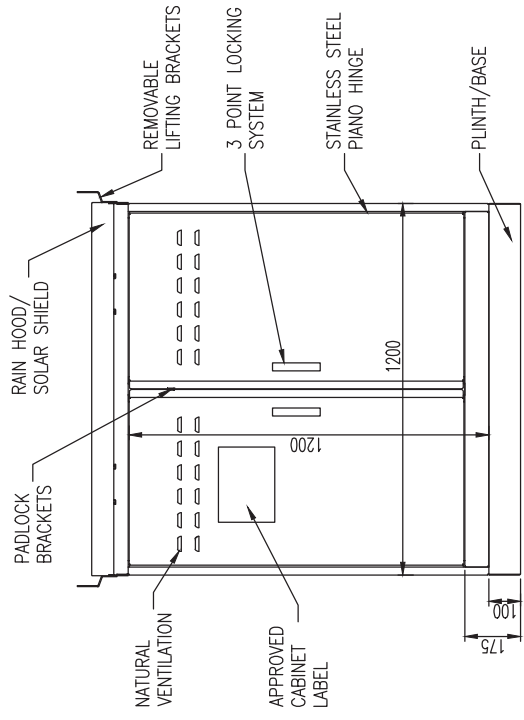
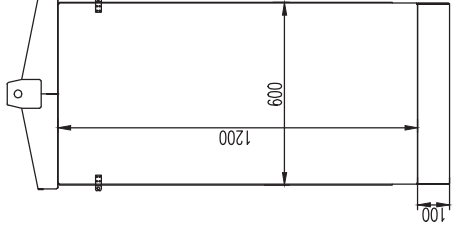


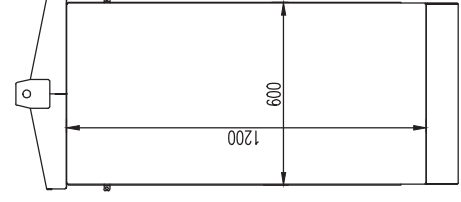
FRONT VIEW



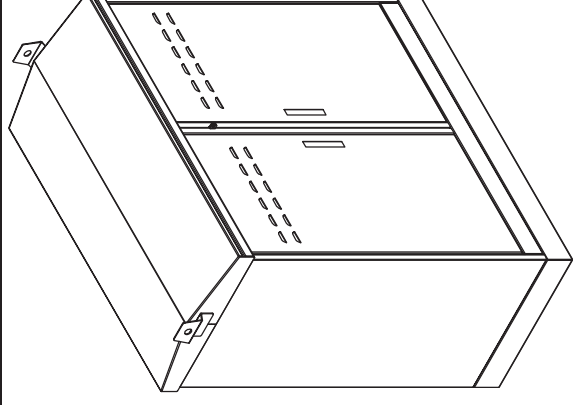
REAR VIEW



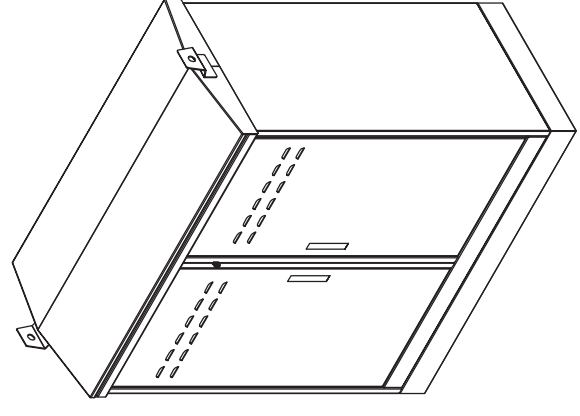
SIDE VIEW 1



SIDE VIEW 2



ISO VIEW 1



ISO VIEW 2

NOTES:

1. ALL DIMENSIONS ARE IN MILLIMETERS
2. BRACKET FOR PADLOCK CAN BE INCORPORATED INTO THE DOOR HANDLE MECHANISM.
3. DOOR HANDLES SHALL INCORPORATE A KEY LOCK; THE DOOR LOCK TYPES AND BARREL NUMBER TO BE PROVIDED BY THE ROAD AUTHORITY.
4. ALL DOORS FITTED WITH GAS PRESSURE STRUT TO HOLD DOOR IN OPEN POSITION.
5. DOCUMENT POCKET TO BE PROVIDED ON INTERNAL SIDE OF FRONT RIGHT HAND SIDE DOORS.
6. CONSTRUCTION:
3mm GALVANISED STEEL EQUIPMENT COMPARTMENT SINGLE SKINNED FINISH POWDER COATED (COLOUR PAL GREY RAL 7035) INGRESS PROTECTION IP-45 IMPACT RATING IK-10 FOR USE ON GREENFIELD & ROADSIDE LOCATIONS.

NOT TO SCALE



ROAD CONSTRUCTION
DETAILS

INSTALLATION
DRAWING TCC

Issue	Date
P1	10/13

CABINET ENCLOSURE
DOUBLE BAY – SHEET 1

Drawing No.

RCD/
1500/050