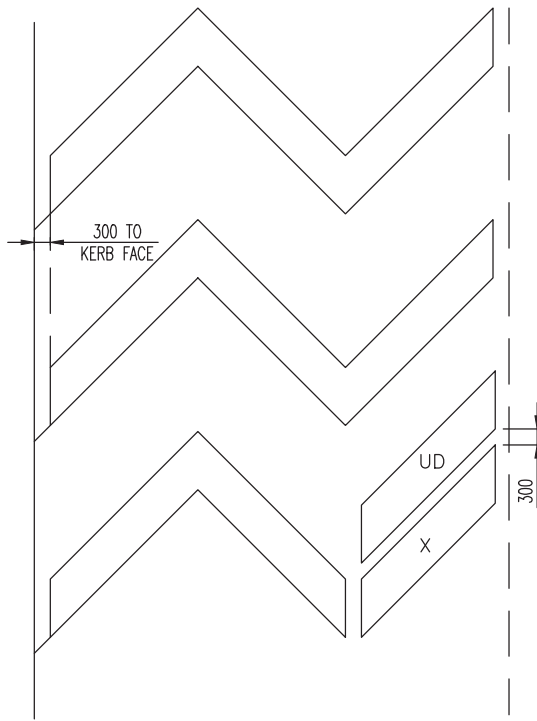
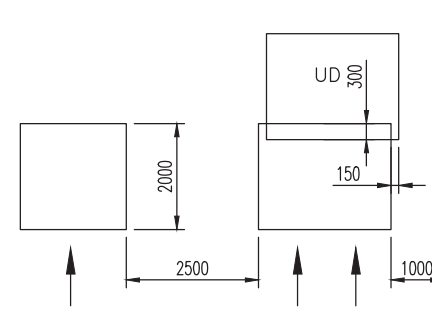


ALL RED LOOP(S)



UD LOOP OVERLAPS X LOOP BY 300 IN DIRECTION OF TRAVEL



SCOOT LOOP DIMENSIONS

NOTES:

1. ALL DIMENSIONS ARE IN MILLIMETRES.
2. ALL LOOPS TO BE 3 TURNS.
3. REFER TO DETECTOR MANUFACTURER FOR MAXIMUM FEEDER LENGTH.
4. SEE DRAWING RCD/1500/029 FOR DETAILS OF CROSS-CUT OF CORNERS OF LOOP SLOT.
5. LOOP CONFIGURATIONS SHAWN ON THIS DRAWING ARE FOR CONTROL OF TRAFFIC SIGNALS.
6. FOR THE INSTALLATION OF DETECTOR LOOPS ON MOTORWAYS AND NATIONAL ROADS REFER TO DMRB HD 20.

NOT TO SCALE

TII PUBLICATION NUMBER: CC-SCD-01546



ROAD CONSTRUCTION
DETAILS

INSTALLATION
DRAWING TCC

P1	10/13
Issue	Date

LOOP (INDUCTIVE) ALL-PURPOSE ROAD
TYPICAL LOOP CONFIGURATION

Drawing No.

RCD/
1500/046