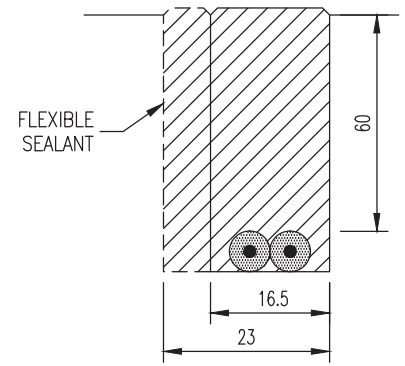
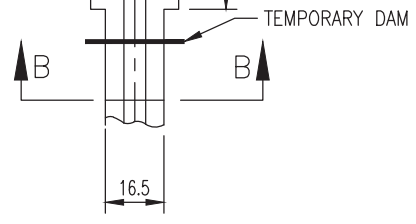


- NOTES:
1. ALL DIMENSIONS ARE IN MILLIMETRES.
 2. FOR THE INSTALLATION OF DETECTOR LOOPS ON MOTORWAYS AND ALL PURPOSE DUAL CARRIAGEWAYS TO DMRB HD 20.



SECTION A-A



SECTION B-B

NOT TO SCALE

TII PUBLICATION NUMBER: CC-SCD-01528



ROAD CONSTRUCTION
DETAILS

INSTALLATION
DRAWING TCC

| | |
|-------|-------|
| P1 | 10/13 |
| Issue | Date |

DETECTOR LOOP SLOT DETAILS
SHEET 4

Drawing No.
RCD/
1500/028