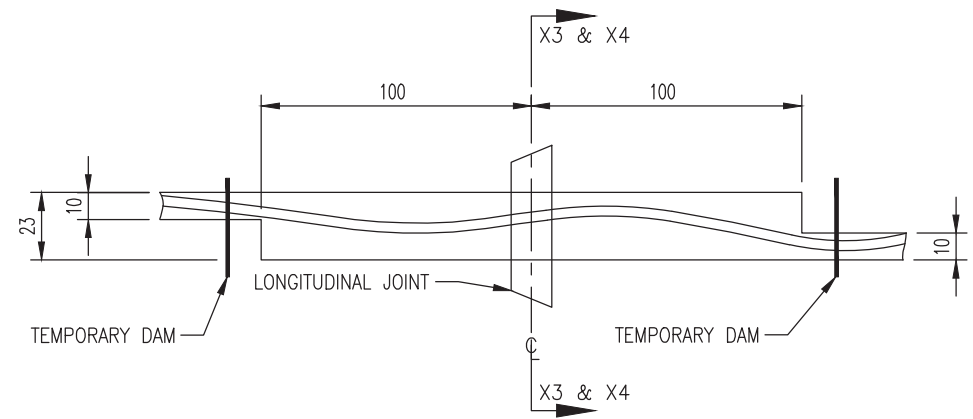
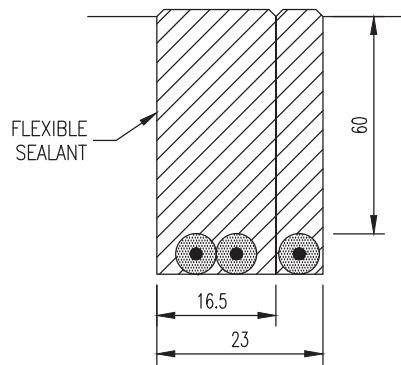


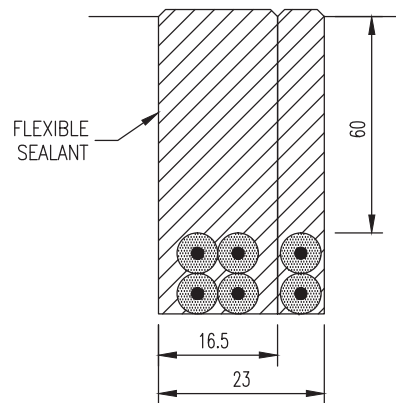
TYPE X1 & X2 (PLAN)



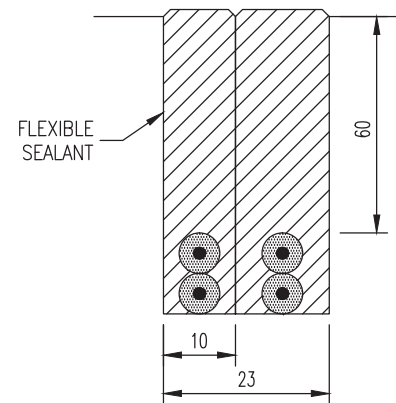
TYPE X3 & X4 (PLAN)



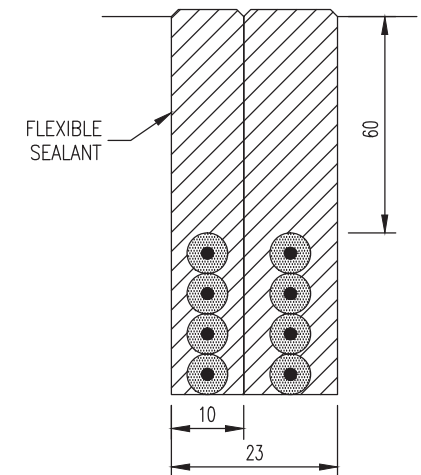
X1 SECTION



X2 SECTION



X3 SECTION



X4 SECTION

NOTES:

1. ALL DIMENSIONS ARE IN MILLIMETRES.
2. FOR THE INSTALLATION OF DETECTOR LOOPS ON MOTORWAYS AND ALL PURPOSE DUAL CARRIAGEWAYS TO DMRB HD 20.

NOT TO SCALE

TII PUBLICATION NUMBER: CC-SCD-01527