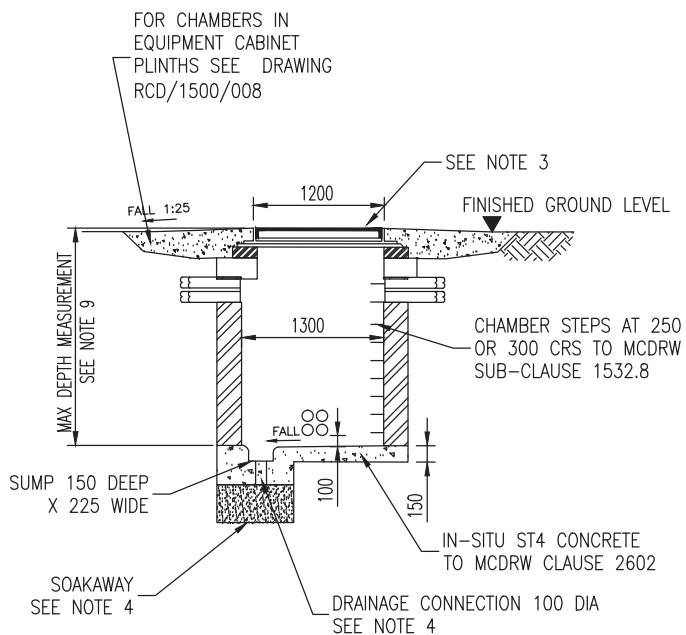
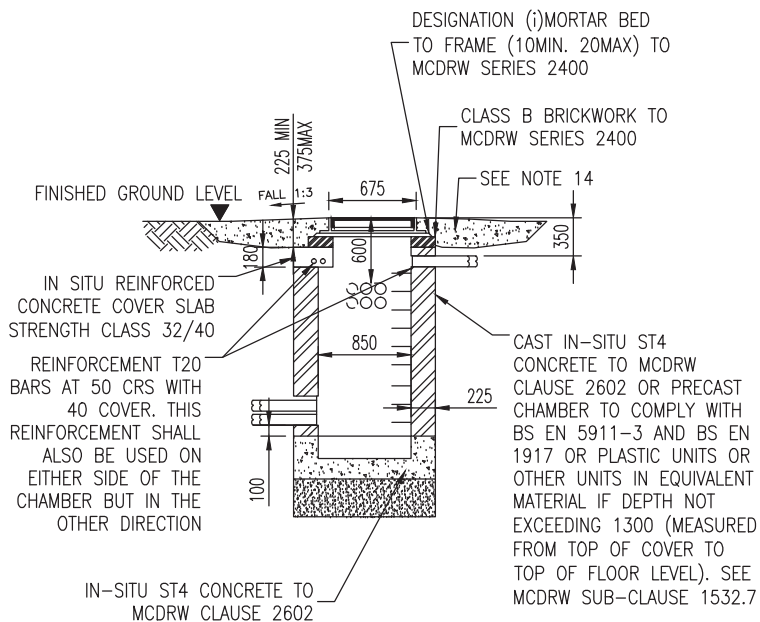


VERGE
HARDSHOULDER

PLAN



SECTION A-A



SECTION B-B

NOTES:

1. CHAMBER WALLS SHALL BE 225MM THICK AND SHALL BE CONSTRUCTED AS SPECIFIED IN MCDRW CLAUSE 1532.
2. TO ACCOMMODATE THE FORM OF CONSTRUCTION USED FOR THE CHAMBER, THE SPACING BETWEEN LOCAL DUCTS MAY VARY BETWEEN 0 AND 100mm.
3. COVER(S) AND FRAME SHALL COMPLY WITH IS EN 124 AND SHALL BE AS DESCRIBED IN APPENDIX 15/2.
4. INSITU BASE SLAB TO BE CAST WITH A MINIMUM FALL OF 1:20 TOWARDS THE SUMP. POSITIVE DRAINAGE IN THE FORM OF SOAKAWAY TO SUIT LOCAL GROUND CONDITIONS OR CONNECTION TO THE HIGHWAY DRAINAGE NETWORK IS REQUIRED.
5. THE CHAMBER WALLS SHALL BE CHAMFERED AROUND THE DUCT ENTRY POINTS TO PROVIDE A SMOOTH SURFACE FOR CABLE INSTALLATION.
6. THE OVERALL DEPTH OF CHAMBER SHALL BE AS SPECIFIED IN THE CHAMBER SCHEDULE OF APPENDIX 15/2.
7. STEPS SHALL COMPLY WITH MCDRW CLAUSE 1532.
8. JOINTING CHAMBERS SHALL HAVE A MINIMUM DEPTH OF 900mm MEASURED FROM THE UNDERSIDE OF THE COVER SLAB TO THE BASE OF A CHAMBER.
9. MAXIMUM DEPTH OF THE CHAMBER SHALL BE 2000. WHERE TRANSVERSE DUCTS ARE CONSTRUCTED AT THE GREATER DEPTH REFER TO DRAWING RCD/1500/006.
10. JOINTING CHAMBERS SHALL BE PROVIDED WITH CABLE SUPPORTS AS DETAILED ON DRAWING RCD/1500/016.
11. FOR DUCT INSTALLATION DETAILS SEE DRAWINGS RCD/1500/010-014.
12. CHAMBER MARKING SHALL BE IN ACCORDANCE WITH MCDRW CLAUSE 1532.
13. THE CONTRACTOR SHALL SUPPLY AND INSTALL A MECHANICAL DUCT PLUG INTO EVERY DUCT ENTERING A CHAMBER (SEE DRAWING RCD/1500/014) IN ACCORDANCE WITH MCDRW CLAUSE 1530.
14. AN AREA WITH A SHALLOW SLOPE AS SHOWN ON THE PLAN VIEW SHALL BE CONSTRUCTED FOR MAINTENANCE ACCESS. IT SHALL BE FORMED FROM A 150 MIN. DEEP LAYER OF ST4 CONCRETE TO MCDRW CLAUSE 2602 WITH A U2 SURFACE FINISH. FOR CHAMBERS IN EQUIPMENT CABINET PLINTHS SEE DRAWING RCD/1500/008.
15. THE EXTERNAL BURIED SURFACES OF THE CHAMBER SHALL RECEIVE TWO COATS OF WATERPROOFED MATERIAL COMPLYING WITH MCDRW CLAUSE 2004.

NOT TO SCALE

TII PUBLICATION NUMBER: CC-SCD-01515