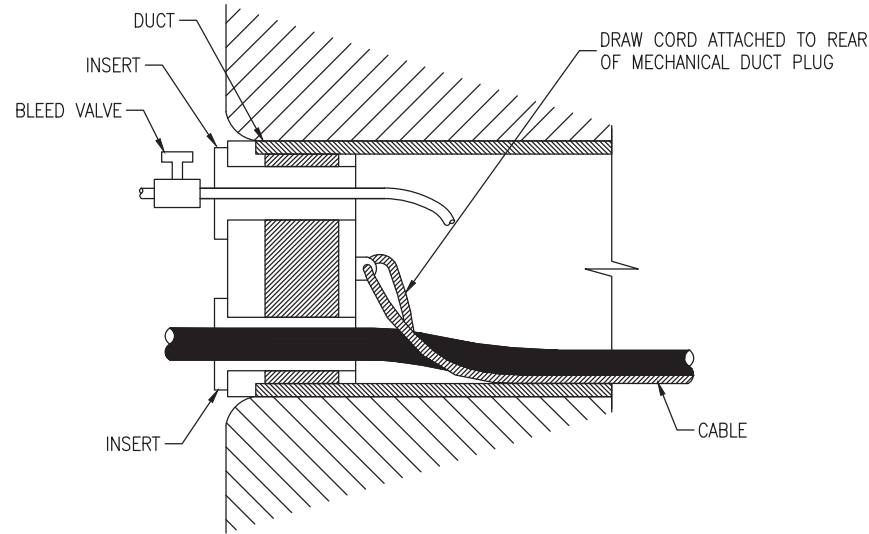
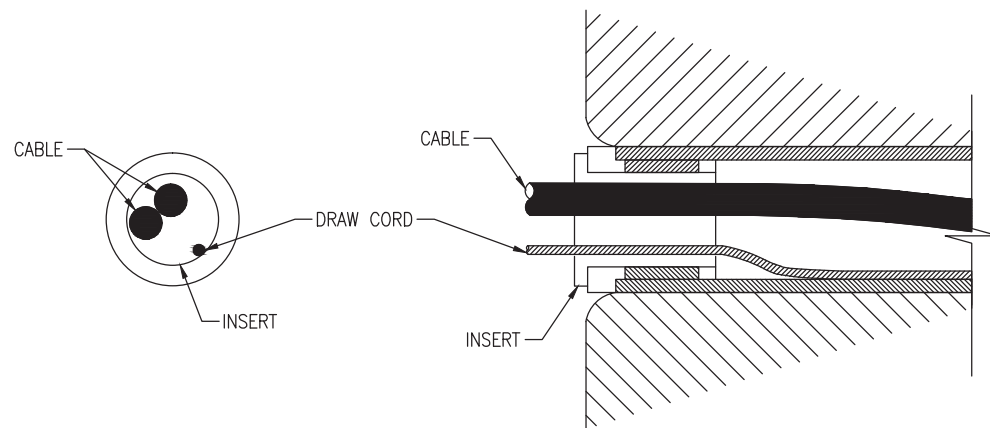


END VIEW OF MECHANICAL DUCT PLUG
(100mm DUCT)



SECTION THROUGH DUCT AND DUCT PLUG
(100mm DUCT)



END VIEW OF MECHANICAL DUCT PLUG
(50mm DUCT)

SECTION THROUGH DUCT AND DUCT PLUG
(50mm DUCT)

NOT TO SCALE

NOTES:

1. THE MECHANICAL DUCT PLUG SHOWN IS TYPICAL.
2. THE MECHANICAL DUCT PLUG SHALL BE IN ACCORDANCE WITH THE MCDRW CLAUSE 1530.
3. THE CONTRACTOR SHALL PROVIDE AND INSTALL A MECHANICAL DUCT PLUG INTO THE END OF EVERY DUCT AT EVERY CHAMBER AND EVERY CABINET.
4. THE CONTRACTOR SHALL PROVIDE AND INSTALL A BLANKING INSERT FOR EACH CABLE PORT.
5. FOR THE 100mm DIAMETER MECHANICAL DUCT PLUG, THE CONTRACTOR SHALL PROVIDE INSERTS TO FIT IN THE CABLE PORTS SO THAT EACH CABLE PORT IS CAPABLE OF ACCOMMODATING THE FOLLOWING CABLES:
 - i) 1 x 40 PAIR, OR
 - ii) 1 x 96 FIBRE CABLE, OR
 - iii) UP TO 4 x QUAD CABLE, OR
 - iv) UP TO 2 x POWER CABLE (10mm² AND 25mm²), OR
 - v) UP TO 2 x COAXIAL CABLES.
6. THE BLEED VALVE MAY BE INCORPORATED EITHER IN A CABLE PORT OR WITHIN THE MECHANICAL DUCT PLUG ITSELF. THE PURPOSE OF THE BLEED VALVE IS TO ALLOW THE AIR PRESSURE TEST DESCRIBED IN MCDRW CLAUSE 1533, AND ALSO TO ALLOW FOR GAS TESTING OF THE DUCT.
7. THE MECHANICAL DUCT PLUG SHALL NOT HOLD CABLES CAPTIVE. THIS MAY BE ACHIEVED BY THE MECHANICAL DUCT PLUG HAVING SPLIT COMPRESSION GASKET. CABLE PORT INSERT BUSHING SLEEVES SHALL BE SPLIT.

TII PUBLICATION NUMBER: CC-SCD-01514