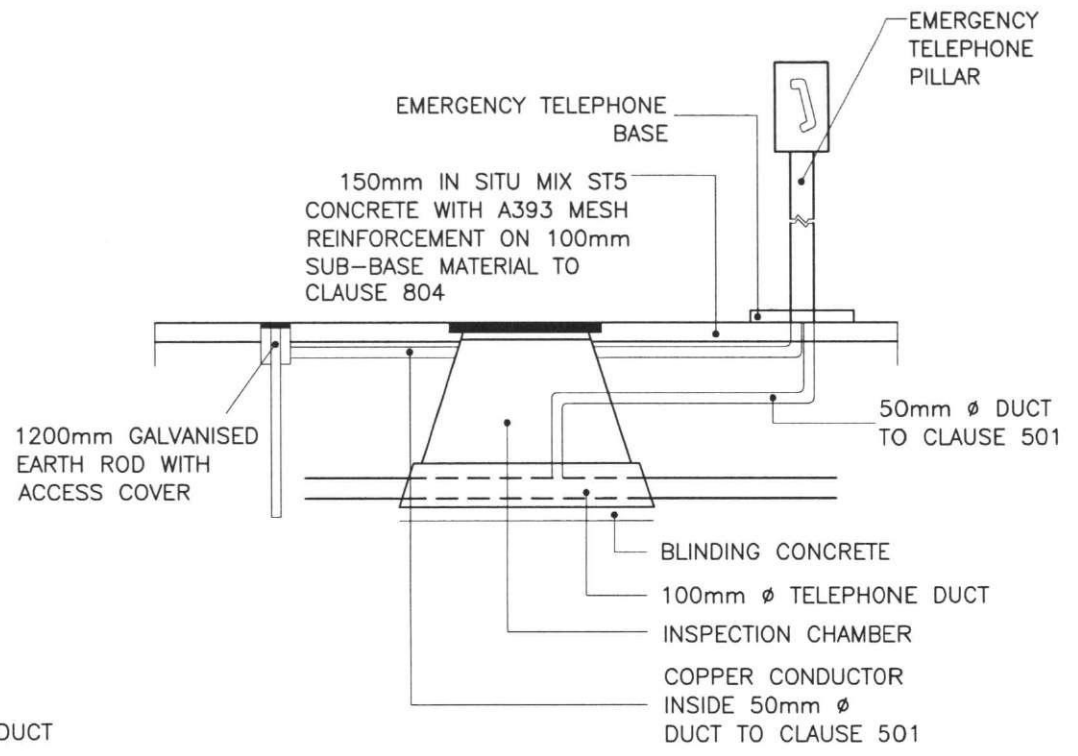


PLAN



SECTION A-A

- NOTES:
1. THE WIDTH OF THE HARDSTANDING IS EQUAL TO THE VERGE WIDTH, UP TO A MAXIMUM OF 3M.
  2. WHERE A FILTER DRAIN IS INCLUDED IN THE VERGE, THE FILTER DRAIN SHALL EXTEND TO THE UNDERSIDE OF THE HARDSTANDING AND BE SEPARATED FROM THE HARDSTANDING BY ITS GEOTEXTILE MEMBRANE.
  3. FOR DETAILS OF LOCATION OF DUCTS SEE THE SCHEME DUCT LAYOUT PLANS.
  4. FOR GENERAL ARRANGEMENT AT EMERGENCY TELEPHONE HARD STANDING SEE RCD/1500/1.