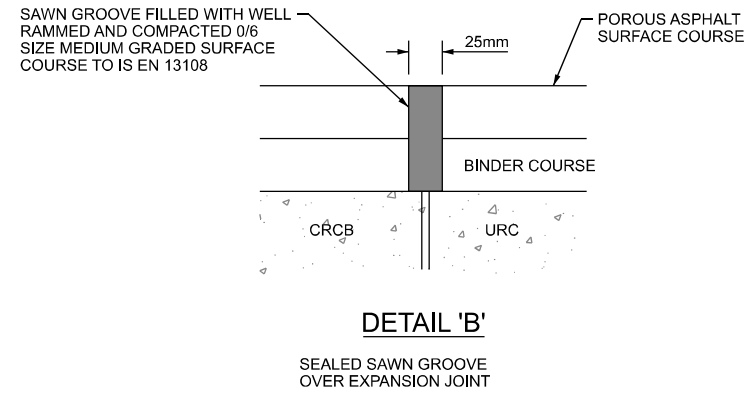
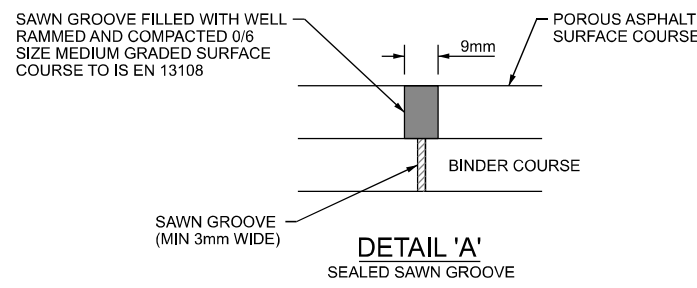


NOTE :-

1. ALL DIMENSIONS ARE IN MILLIMETRES UNLESS OTHERWISE STATED.
2. AT UNDERBRIDGES WHERE THE LEVEL OF THE BRIDGE DECK IS APPROXIMATELY IN LINE WITH THE ROAD SURFACE, THE BASE ADJACENT TO THE STRUCTURE SHALL BE A MINIMUM OF 5M OF FLEXIBLE BASE. WHERE THE UNDERBRIDGES ARE BURIED UNDERBRIDGES SUCH AS BOX CULVERTS, THE CRCB CAN BE LAID CONTINUOUSLY OVER THE TOP.
3. THE DEPTH OF TRANSITION LENGTH SHALL NOT BE LESS THAN 200. IF NECESSARY THE THICKNESS OF THE END SECTION OF THE CRCB SHALL BE TAPERED TO MATCH, SO THAT THE SUB-BASE SURFACE LEVEL IS CONTINUOUS WITHOUT STEPS.



PUBLICATION TITLE

CONCRETE CARRIAGEWAY
TRANSVERSE FROM RIGID CRCB TO FLEXIBLE CONSTRUCTION
WITH POROUS ASPHALT SURFACING

ACTIVITY	PUBLICATION TITLE			PUBLICATION DATE			PUBLICATION NUMBER		
STREAM	HISTORICAL REFERENCE			DOCUMENTATION SET			ACTIVITY		
STANDARD CONSTRUCTION DETAILS (SCD)	RCD/1000/22			STANDARDS			CC		
	DECEMBER 2010			SCD			DRAWING NUMBER		
	01022								