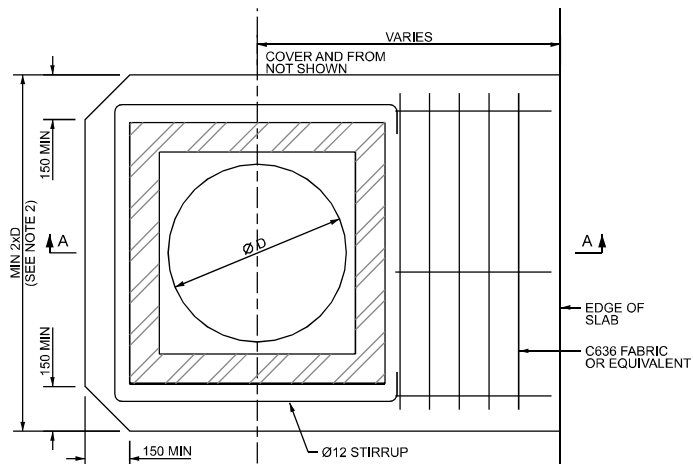


SECTION A-A



INSITU CONCRETE SURROUND DETAILS

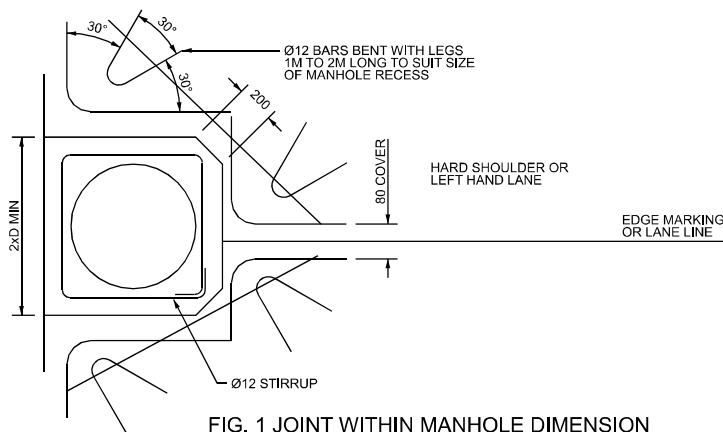


FIG. 1 JOINT WITHIN MANHOLE DIMENSION

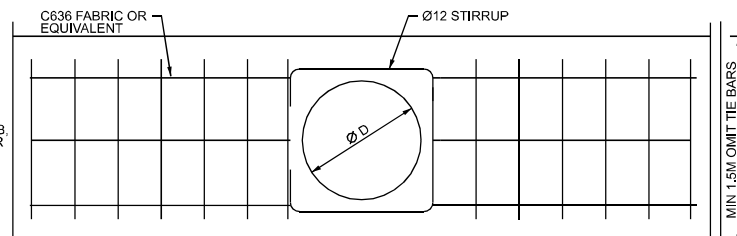


FIG. 2 JOINT ADJACENT TO MANHOLE SLAB

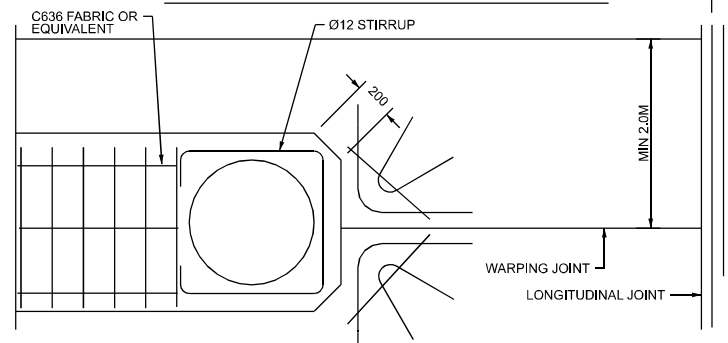


FIG. 3 EXTRA JOINT AT MANHOLE POSITION TO BE A WARPING JOINT

- NOTES:-
1. ALL DIMENSIONS ARE IN MILLIMETRES UNLESS STATED OTHERWISE.
 2. THE OVERALL DIMENSIONS OF THE RECESS MAY VARY IN ACCORDANCE WITH THE TYPE OF MANHOLE AND COVER USED.
 3. CONCRETE SURROUND TO BE GRADE C40.
 4. ALL REINFORCEMENT TO BE GRADE 250 BARS TO BS 4449 AND FIRMLY FIXED AT ALL BAR INTERSECTIONS OR FABRIC TO BS 4483. COVER TO BARS TO BE 60 ± 10 VERTICALLY AND 80 ± 10 HORIZONTALLY.
 5. NORMAL JOINT SPACING MAY BE ADJUSTED BY UP TO 1M SO THAT THE MANHOLE IS ASTRIDE OR ADJACENT TO THE JOINT AS SHOWN IN FIGS 1 & 2. IF THIS IS NOT POSSIBLE AN EXTRA JOINT SHALL BE FORMED IN THAT LANE AT THE MANHOLE POSITION AS IN FIG. 3 AND THAT JOINT SHALL BE A WARPING JOINT.
 6. TIE MANHOLE SLAB SHALL BE ISOLATED FROM THE PAVEMENT BY JOINT FILLER BOARD AT ALL JOINTS WITHOUT DOWELS OR TIE BARS, AND THE JOINT SHALL BE SEALED.
 7. FOR MANHOLE DETAILS SEE 500 SERIES DRAWINGS.



PUBLICATION TITLE
CONCRETE PAVEMENTS
MANHOLES IN JOINTED CONCRETE PAVEMENT

STREAM	HISTORICAL REFERENCE	DOCUMENTATION SET	PUBLICATION DATE	PUBLICATION NUMBER		
				ACTIVITY	STREAM	DRAWING NUMBER
STANDARD CONSTRUCTION DETAILS (SCD)	RCD/1000/17	STANDARD	MARCH 2000	CC	SCD	01017