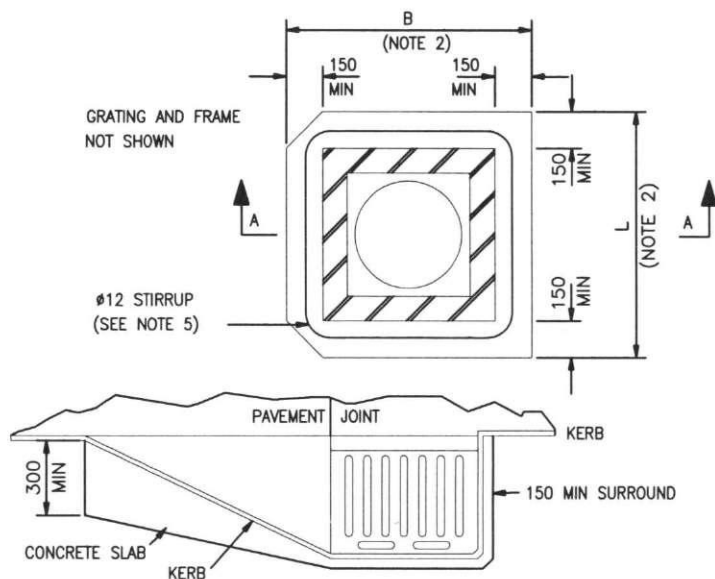


SECTION A-A



GULLY OUTSIDE EDGE OF PAVEMENT

GULLIES WITHIN THE PAVEMENT

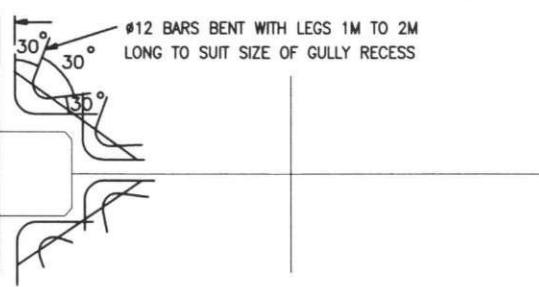


FIG. 1 JOINT WITHIN GULLY DIMENSION (PREFERRED POSITION)

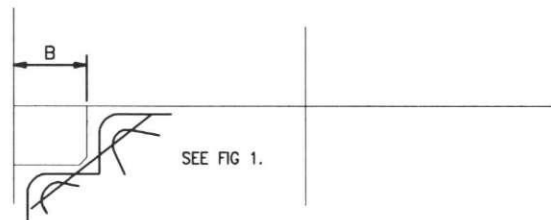


FIG. 2 JOINT ADJACENT TO GULLY

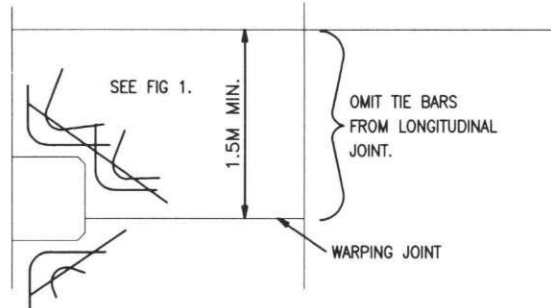


FIG. 3 EXTRA JOINT AT GULLY POSITION

NOTES

1. ALL DIMENSIONS ARE IN MILLIMETRES UNLESS STATED OTHERWISE.
2. THE OVERALL DIMENSIONS OF THE RECESS MAY VARY IN ACCORDANCE WITH THE TYPE OF GRATING USED.
3. CONCRETE SURROUND TO BE GRADE C40.
4. ALL REINFORCEMENT TO BE GRADE 250 BARS TO BS 4449. AND FIRMLY FIXED AT ALL BAR INTERSECTIONS. COVER TO BARS TO BE 60+1D VERTICALLY AND HORIZONTALLY.
5. THE #12 STIRRUP SHALL BE CUT AND BENT TO SUCH DIMENSIONS AS ALLOW IT TO BE PLACED CENTRALLY WITHIN THE SURROUND, AN OVERLAP OF 450 SHALL BE PROVIDED IN CLOSING THE STIRRUP.
6. NORMAL JOINT POSITIONS MAY BE ADJUSTED BY UP TO 1M SO THAT THE GULLY IS ASTRIDE OR ADJACENT TO THE JOINT. IF THIS IS IMPOSSIBLE AN EXTRA JOINT SHALL BE FORMED IN THE LANE AT THE GULLY POSITION AND SHALL BE A TIED WARPING JOINT.
7. THE GULLY SLAB SHALL BE ISOLATED FROM THE PAVEMENT AT ALL JOINTS BY JOINT FILLER BOARD FOR THE FULL DEPTH OF THE SLAB AND JOINTS SHALL BE SEALED.
8. FOR DETAILS OF DRAINAGE SEE 500 SERIES DRAWINGS.