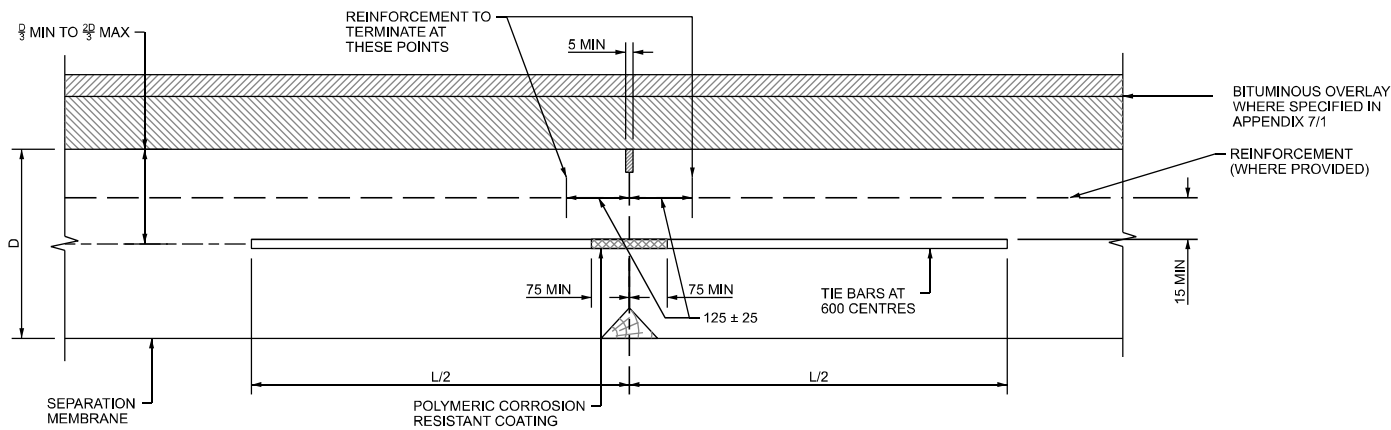


TYPE 1
 LONGITUDINAL CONSTRUCTION JOINT BETWEEN TWO SEPARATELY
 CONSTRUCTED UNREINFORCED OR JOINTED REINFORCED SLABS

TIE BARS		
DIA.	LENGTH L	GRADE
12	750	B500B OR B500C
16	600	B500B OR B500C
20	500	B500B OR B500C



TYPE 2
 WET FORMED LONGITUDINAL JOINT FOR SLABS MORE THAN
 ONE LANE WIDTH CONSTRUCTED IN ONE OPERATION

NOTES:-
 1. ALL DIMENSIONS ARE IN MILLIMETRES.
 2. TIE BARS SHALL CONFORM TO CC-SPW-01000.



PUBLICATION TITLE
**CONCRETE PAVEMENTS
 LONGITUDINAL JOINTS**

ACTIVITY
 STREAM
STANDARD CONSTRUCTION DETAILS (SCD)

HISTORICAL REFERENCE

RCD/1000/7

DOCUMENTATION SET

STANDARD

PUBLICATION DATE

NOVEMBER 2010

PUBLICATION NUMBER

ACTIVITY	STREAM	DRAWING NUMBER
CC	SCD	01007