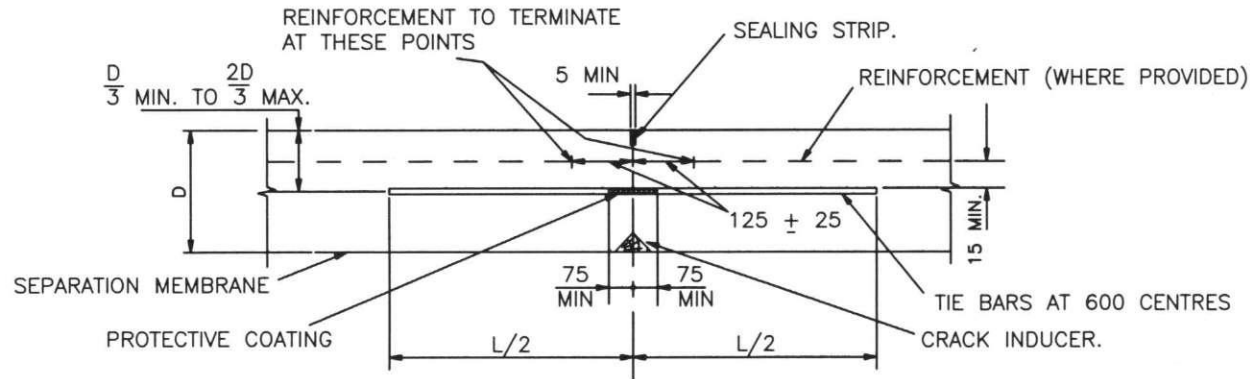


TYPE 1

LONGITUDINAL CONSTRUCTION JOINT BETWEEN TWO SEPARATELY CONSTRUCTED UNREINFORCED OR JOINTED REINFORCED SLABS



TYPE 2

WET FORMED LONGITUDINAL JOINT FOR SLABS MORE THAN ONE LANE WIDTH CONSTRUCTED IN ONE OPERATION

TIE BARS		
DIA.	LENGTH L	GRADE BS 4449
12	1000	250
12	750	460
16	600	460
20	500	460

NOTES
1. ALL DIMENSIONS ARE IN MILLIMETRES.