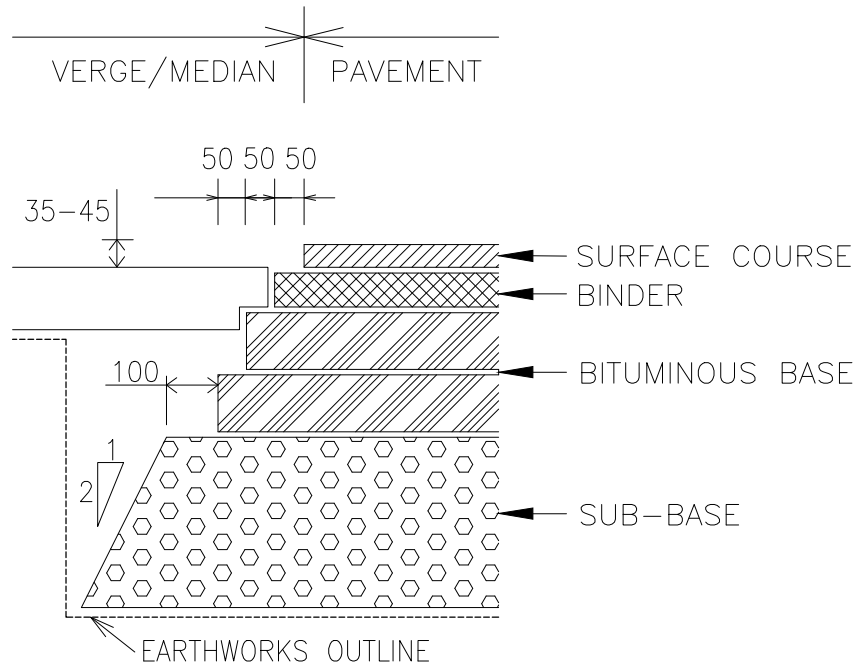
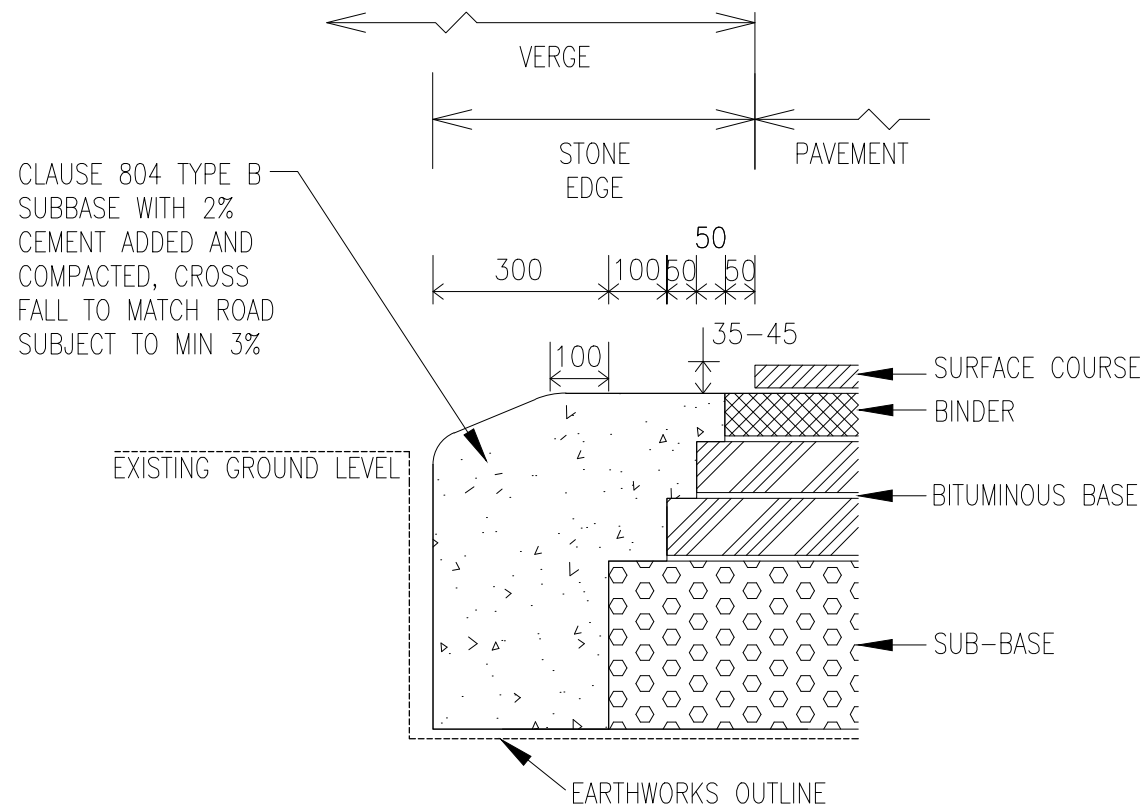


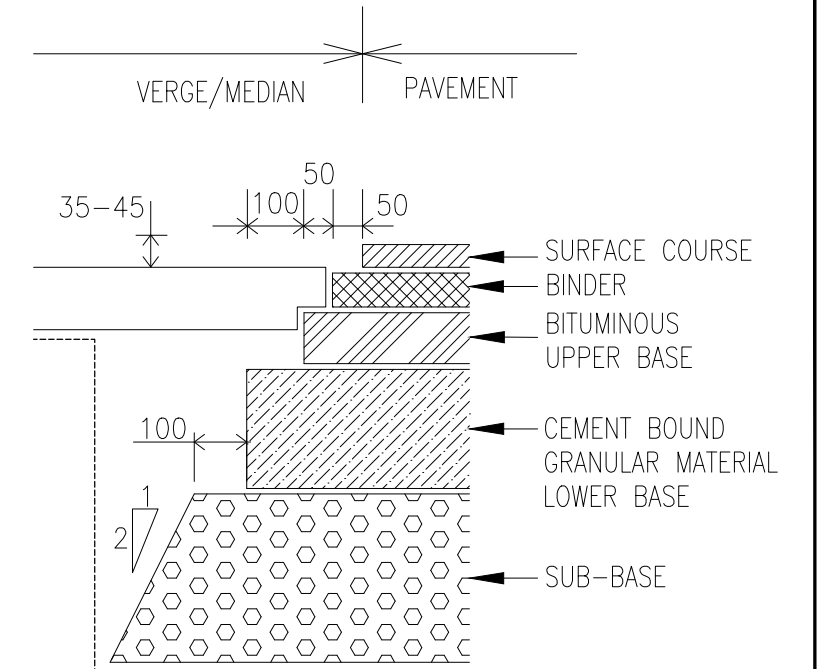
PAVEMENT TYPE 1A :
FLEXIBLE CONSTRUCTION
NEW BUILD SCHEMES



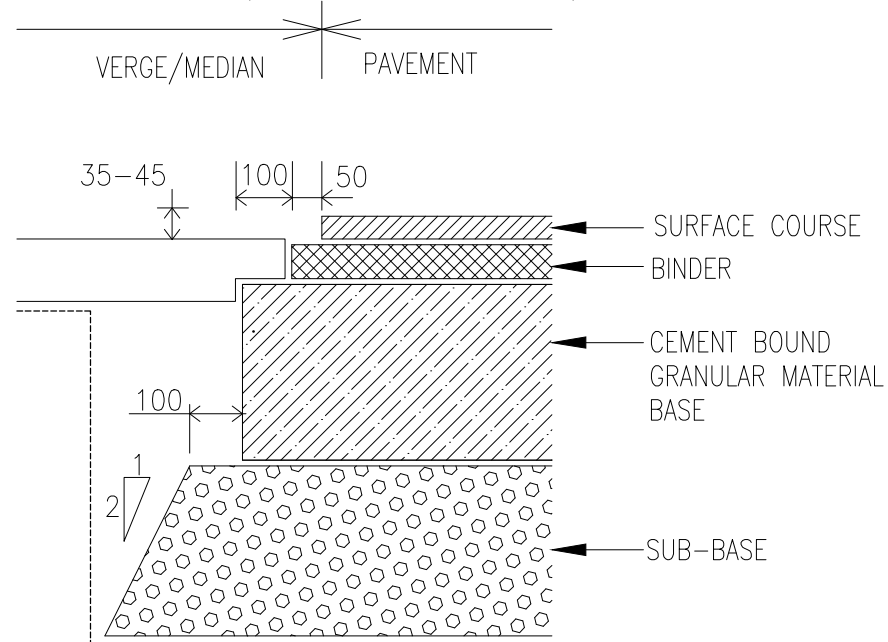
PAVEMENT TYPE 1B :
FLEXIBLE CONSTRUCTION
RETROFIT SCHEMES



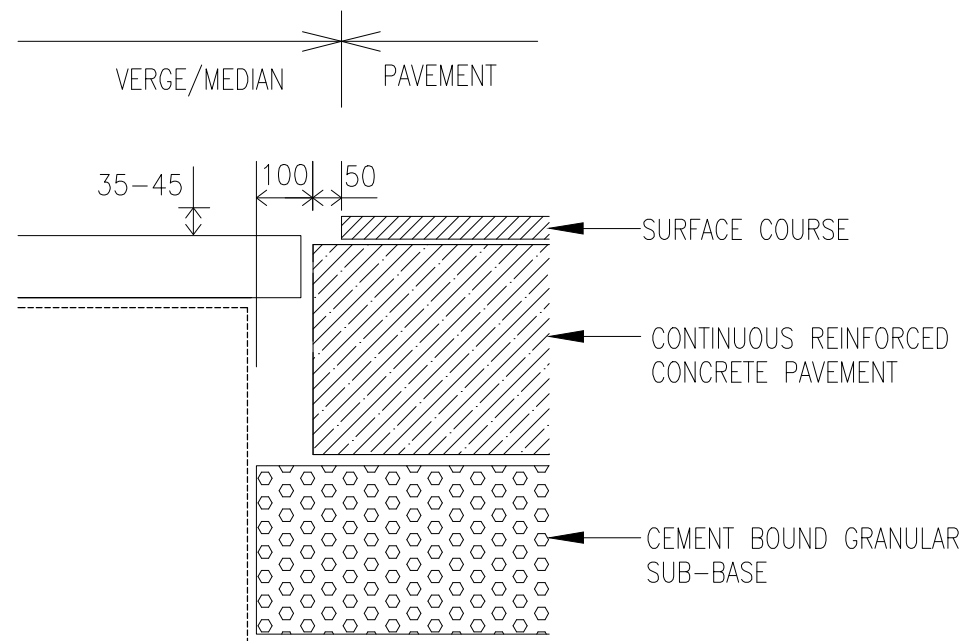
PAVEMENT TYPE 2 :
FLEXIBLE COMPOSITE CONSTRUCTION
TYPE A



PAVEMENT TYPE 3 :
FLEXIBLE COMPOSITE CONSTRUCTION
TYPE B (LOWER VOLUMES)



PAVEMENT TYPE 4 :
RIGID CONSTRUCTION (CRCP)



PAVEMENT TYPE 5 :
RIGID CONSTRUCTION (CRCB)

