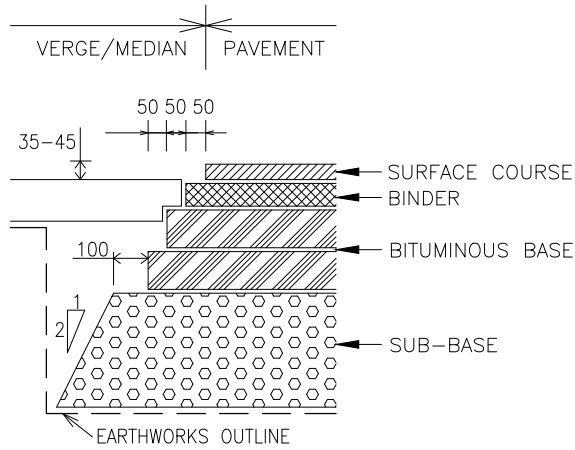
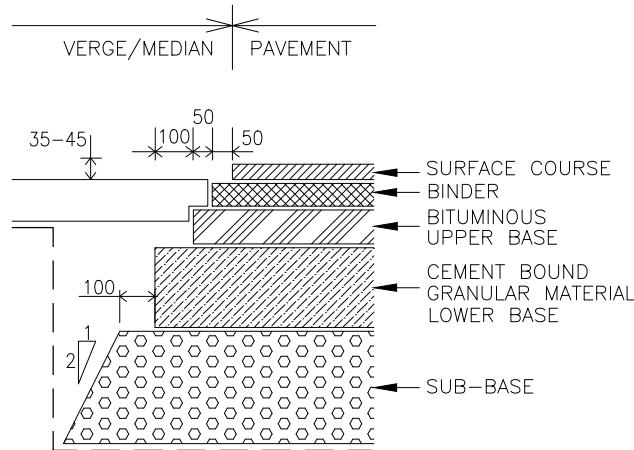


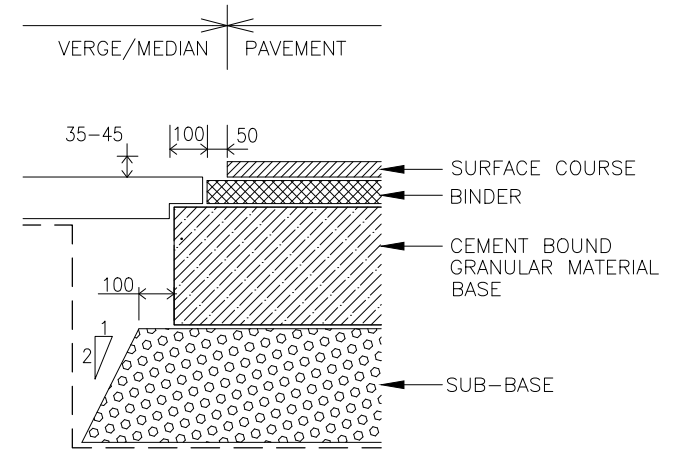
PAVEMENT TYPE 1 :  
FLEXIBLE CONSTRUCTION



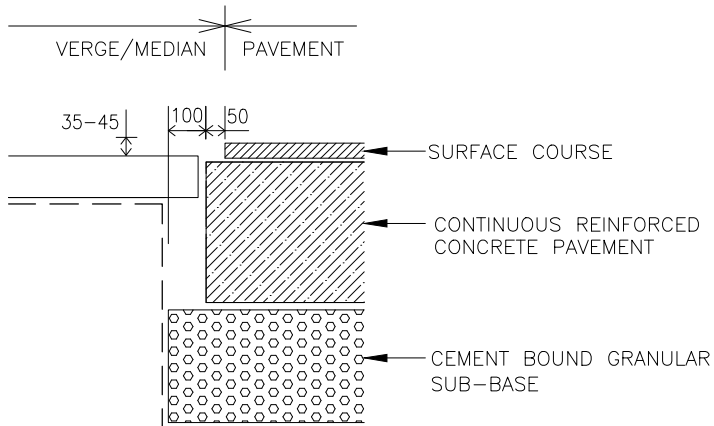
PAVEMENT TYPE 2 :  
FLEXIBLE COMPOSITE CONSTRUCTION  
TYPE A



PAVEMENT TYPE 3 :  
FLEXIBLE COMPOSITE CONSTRUCTION  
TYPE B (LOWER VOLUMES)



PAVEMENT TYPE 4 :  
RIGID CONSTRUCTION (CRCP)



PAVEMENT TYPE 5 :  
RIGID CONSTRUCTION (CRCB)

