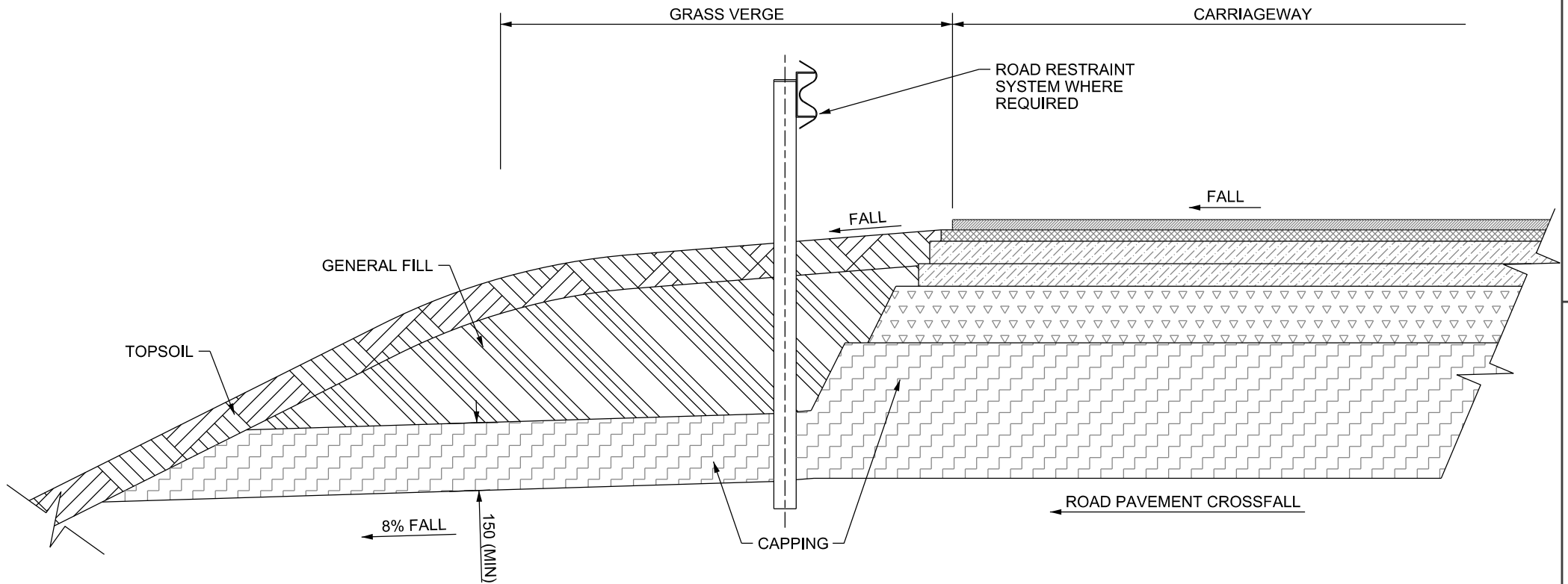


NOTE:-
1. ALL DIMENSIONS ARE IN MILLIMETRES.



NOT TO SCALE



PUBLICATION TITLE

EARTHWORKS
CAPPING TREATMENT ON EMBANKMENT NEARSIDE VERGE

STREAM

STANDARD CONSTRUCTION DETAILS (SCD)

HISTORICAL REFERENCE

RCD/600/10

DOCUMENTATION SET

STANDARDS

PUBLICATION DATE

MARCH 2013

PUBLICATION NUMBER

ACTIVITY	STREAM	DRAWING NUMBER
CC	SCD	00610