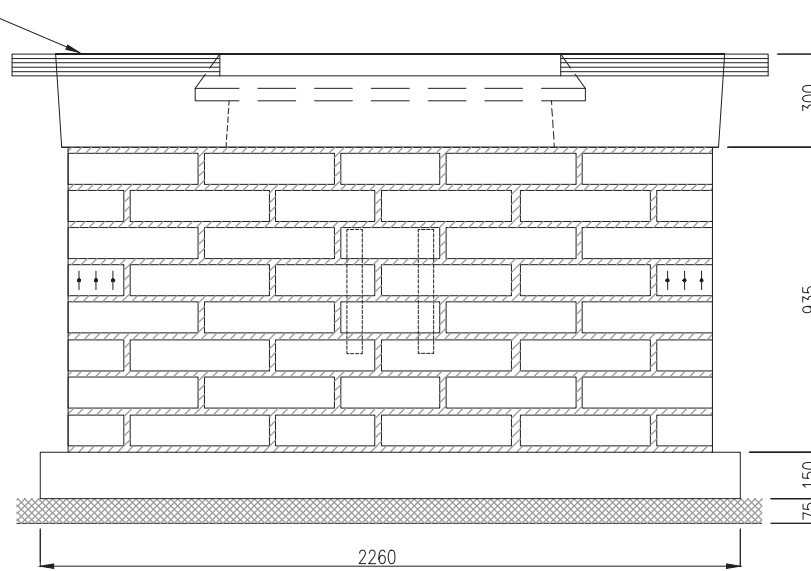
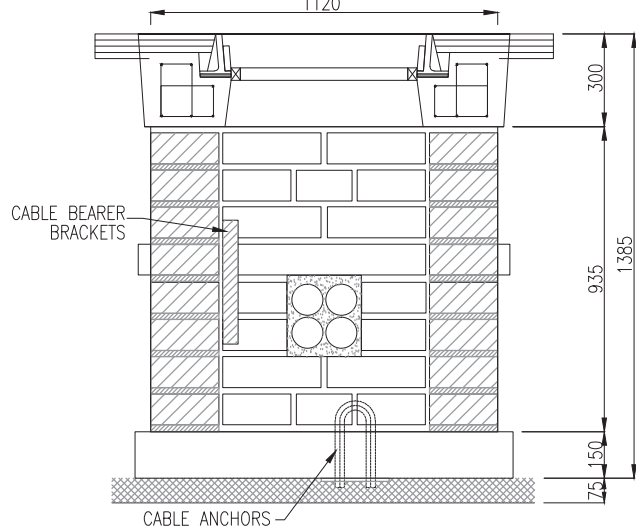


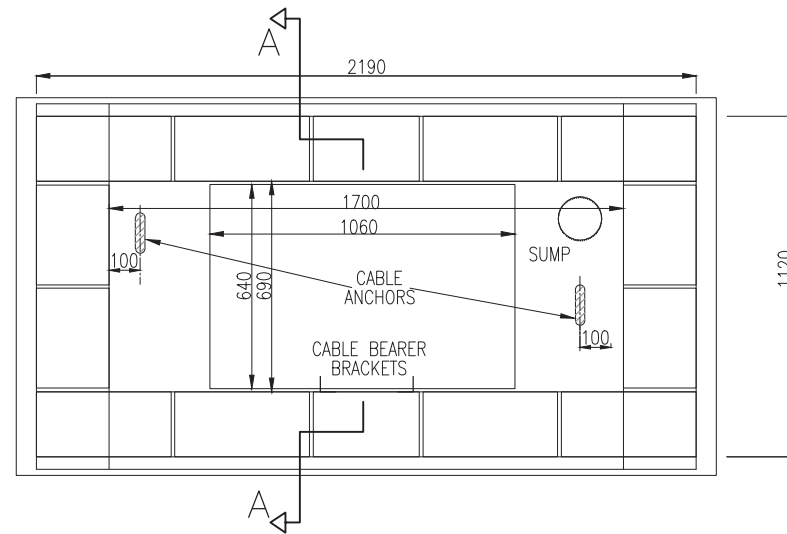
END
ELEVATION



SIDE
ELEVATION



SECTION A-A



PLAN

NOTES:

1. ALL DIMENSIONS IN MILLIMETRES.
2. FOUNDATIONS TO BE AS PER SPEC 507.2.
3. CONCRETE MIX SHALL BE ST4 AS PER SPEC 507.2.
4. VIBRATE USING HYDRAULIC VIBRATOR AND ALLOW TO SET OVERNIGHT.
5. CHAMBER WALLS TO BE SOLID BLOCKS TO IS 20 COLOURED BLACK WITH 21N/mm² MINIMUM COMPRESSIVE STRENGTH.
6. BLOCK LAYERS TO BE IN ACCORDANCE WITH DETAIL WITH 1200x215x100mm REINFORCED CONCRETE LINTEL TO IS 240 ABOVE DUCT OPENINGS. ALLOW 3 DAYS FOR BLOCKWORK MORTAR TO CURE BEFORE BACKFILLING VOIDS OUTSIDE BLOCKWORK WITH GRADE C20/10 CONCRETE WELL CONSOLIDATED WITH A MECHANICAL COMPACTOR.
7. MORTAR TO BE 1:3 CEMENT/SAND MIX AS PER SPEC 507.13.
8. SIZE OF BLOCK = 440x215x100mm.
9. ALL JOINTS TO BE 8 TO 15mm THICK AS PER SPEC 507.3 AND SERIES 2400.
10. COVER FRAME TO BE FULLY BEDDED ON MINIMUM OF 10mm DESIGNATION 1 MORTAR AS PER SPEC 507.3.
11. POSITION OF CABLE BEARER BRACKETS AND SUMP TO BE DECIDED ON SITE.
12. ANCHOR IRONS TO BE SET IN FLOOR WITH BASE OF IRONS BELOW MESH.
13. PRECAST CHAMBERS TO IS EN 1917 ARE ALSO PERMITTED AS PER SPEC 507.4.
14. CAST IN-SITU CONCRETE CHAMBERS ARE ALSO PERMITTED AND SMALL BE CONSTRUCTED AS PER SPEC 507.4.

NOT TO SCALE

TII PUBLICATION NUMBER: CC-SCD-00566