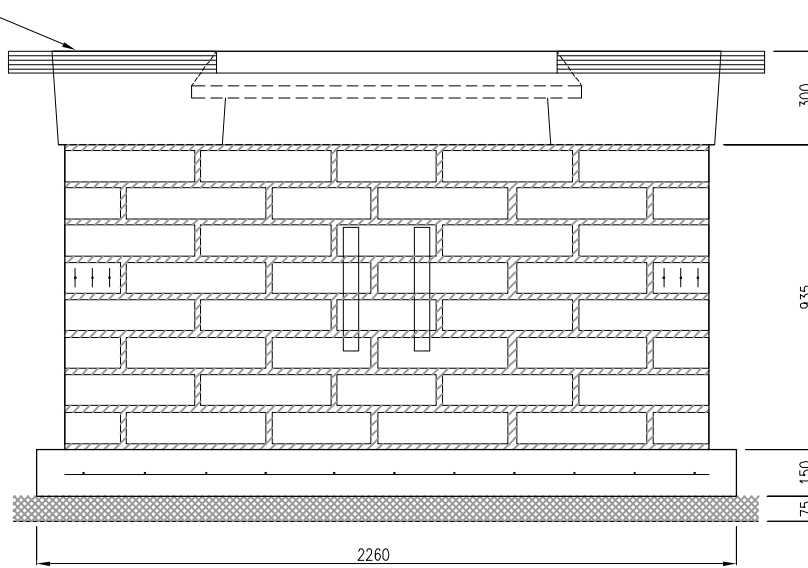
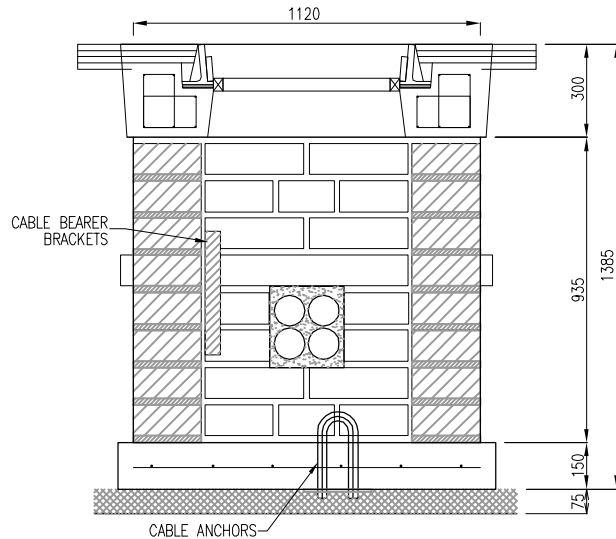


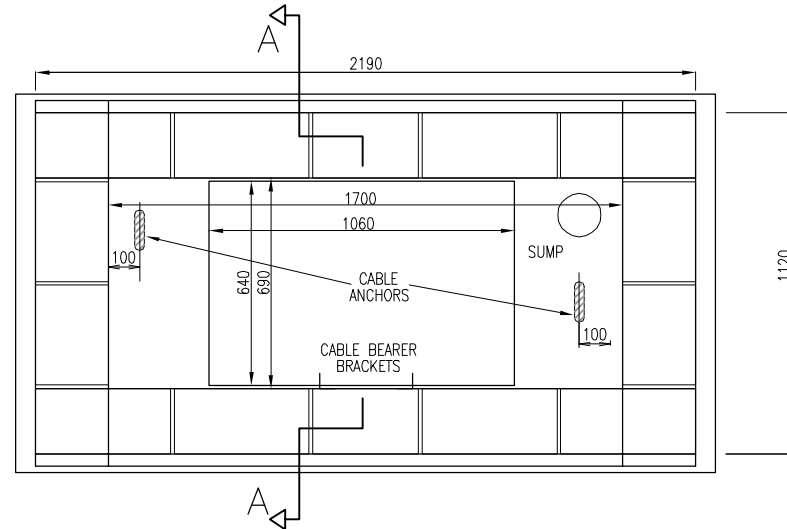
END ELEVATION



SIDE ELEVATION



SECTION A-A



PLAN

NOTES:

1. ALL DIMENSIONS IN MILLIMETRES EXCEPT WHERE STATED.
2. FOUNDATION PLINTH CONCRETE TO BE GRADE C35 WITH MINIMUM CEMENT CONTENT 290 kg/m³. PLINTH TO FORM 1250x2260x150mm CHAMBER FLOOR REINFORCED WITH B785 MESH CENTRALLY PLACED AND BEDDED ON 75mm CONCRETE BLINDING GRADE C10.
3. CONCRETE MIX: 1 CEMENT/1 SAND/2 WASHED PEBBLE.
4. VIBRATE USING HYDRAULIC VIBRATOR AND ALLOW TO SET OVERNIGHT.
5. CHAMBER WALLS TO BE SOLID BLOCKS TO IS 20 COLOURED BLACK WITH 21N/mm² MINIMUM COMPRESSIVE STRENGTH.
6. BLOCK LAYERS TO BE IN ACCORDANCE WITH DETAIL WITH 1200x215x100mm REINFORCED CONCRETE LINTEL TO IS 240 ABOVE DUCT OPENINGS. ALLOW 3 DAYS FOR BLOCKWORK MORTAR TO CURE BEFORE BACKFILLING VOIDS OUTSIDE BLOCKWORK WITH GRADE C20/10 CONCRETE WELL CONSOLIDATED WITH A MECHANICAL COMPACTOR.
7. MORTAR TO BE 1:3 CEMENT/SAND MIX.
8. SIZE OF BLOCK = 440x215x100mm.
9. ALL JOINTS TO BE 8 TO 15mm THICK.
10. COVER FRAME TO BE FULLY BEDDED ON MINIMUM OF 10mm DESIGNATION 1 MORTAR.
11. POSITION OF CABLE BEARER BRACKETS AND SUMP TO BE DECIDED ON SITE.
12. ANCHOR IRONS TO BE SET IN FLOOR WITH BASE OF IRONS BELOW MESH.
13. PRECAST CHAMBERS TO IS EN 1917 ARE ALSO PERMITTED.

NOT TO SCALE

P3	01/09
P2	10/07
P1	03/00
Issue	Date