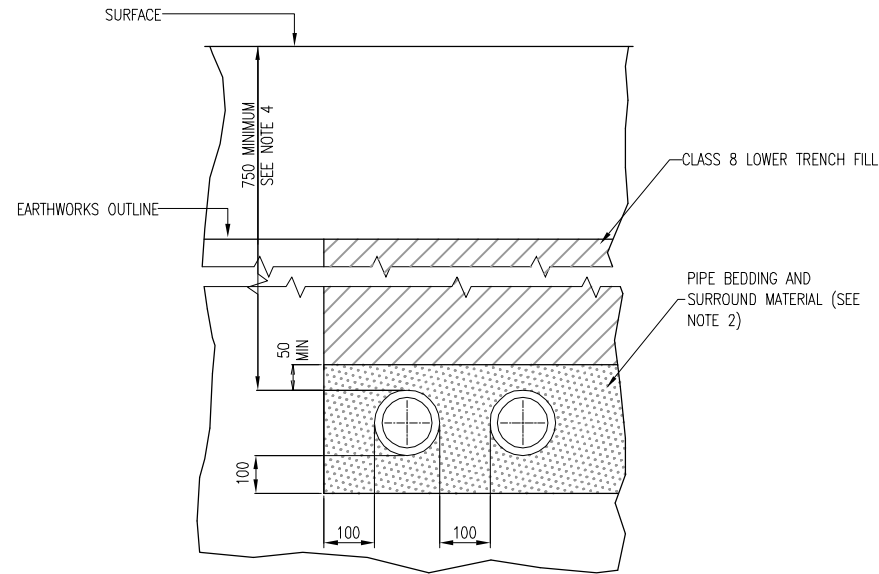
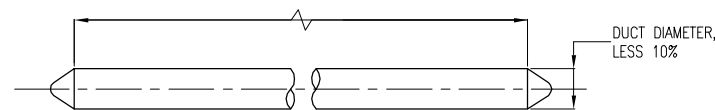


NOTES:

1. ALL DIMENSIONS ARE IN MILLIMETRES EXCEPT WHERE STATED.
2. PIPE BEDDING AND SURROUND MATERIAL SHALL BE SAND COMPLYING WITH TABLE 5/4 OF THE MCDRW.
3. CLASS 8 LOWER TRENCH FILL SHALL COMPLY WITH TABLE 6/1 OF THE MCDRW.
4. ALTERNATIVELY DUCTS SHALL BE LAID TO LIMITS DESCRIBED IN APPENDIX 5/2, 14/4 OR 15/1 OR SHOWN ON THE DRAWINGS.



TYPE C
NON-TRAFFICKED DUCTS (MINIMUM 750 COVER)



DETAIL OF MANDREL
(REQUIRED TO PASS THROUGH THE WHOLE LENGTH OF COMPLETED DUCTS WITH CURVED ENDS)

NOT TO SCALE