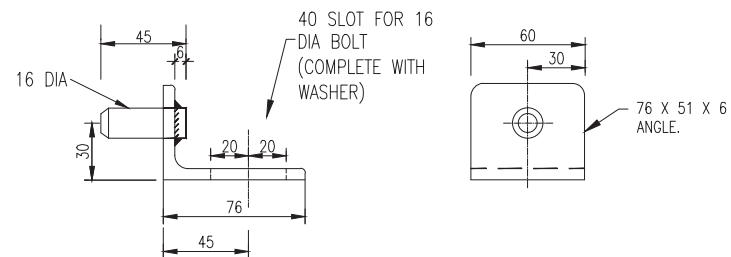
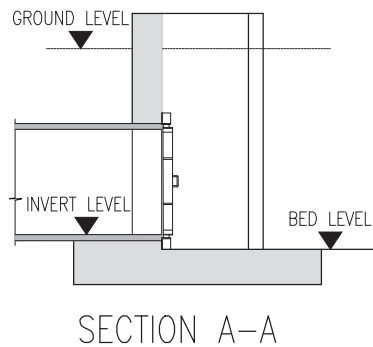
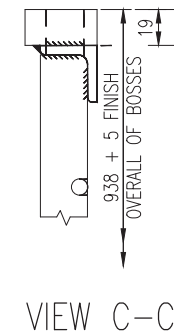
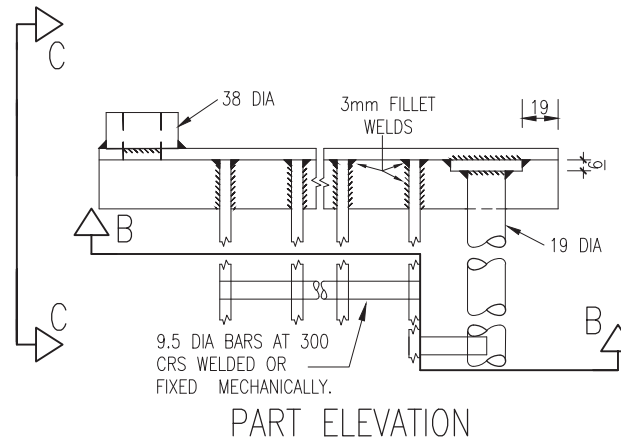
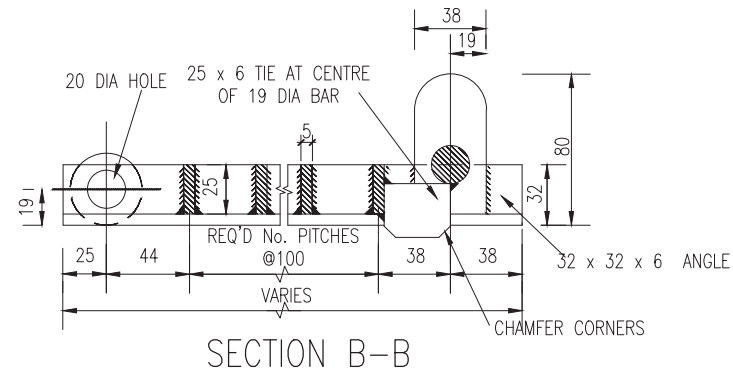
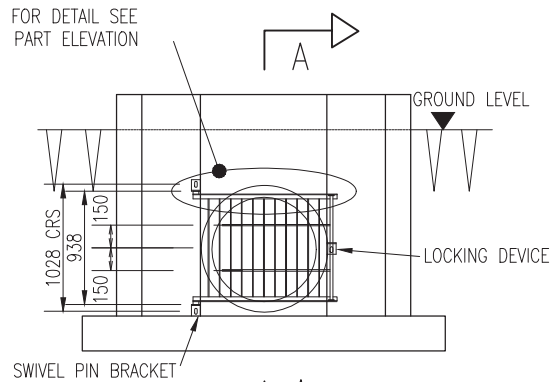


NOTES:

1. ALL DIMENSIONS ARE IN MILLIMETRES.
2. ALL WELDS ARE TO BE 6mm FILLET WELDS EXCEPT WHERE STATED.
3. THE GRATINGS AND BRACKETS ARE TO BE FABRICATED FROM STEEL IS EN 10084 AND TO BE PROTECTED BY HOT DIP GALVANISING.
4. OUTLET GRID IS ONLY TO BE USED WHERE SELF CLEARING INLET GRID DETAILS TO RCD/500/51 IS PROVIDED.
5. PROPRIETRY SYSTEM MAY BE USED SUBJECT TO APPROVAL.



DETAILS OF SWIVEL PIN BRACKET
(SECURED TO HEADWALL WITH 16 DIA BOLT)

NOT TO SCALE

TII PUBLICATION NUMBER: CC-SCD-00552