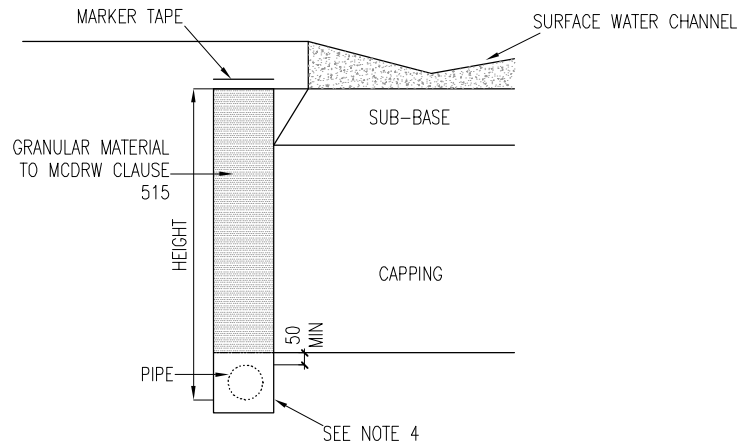


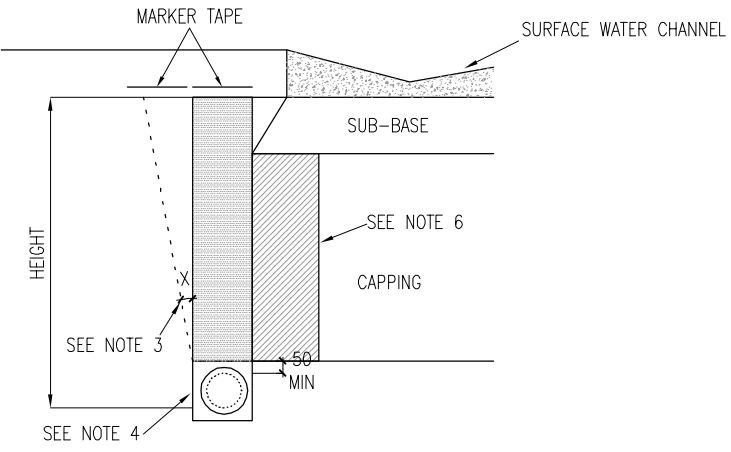
DRAIN TYPE 8



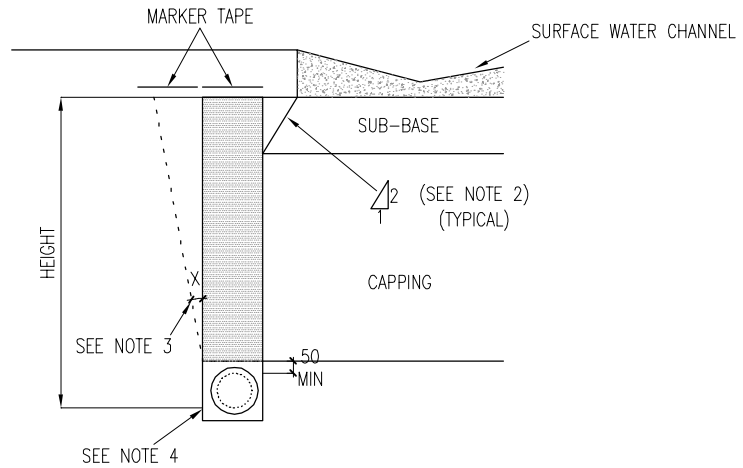
DRAIN TYPE 9

- NOTES:
1. ALL DIMENSIONS ARE IN MILLIMETRES.
 2. NARROW FILTER DRAINS SHALL BE A MINIMUM OF 75 FROM THE EDGE OF THE SURFACE WATER CHANNEL WHERE APPROPRIATE.
 3. MARKER TAPES, AND MAXIMUM DRAIN SLOPE ANGLE (X) SHALL BE AS DESCRIBED IN THE MCDRW CLAUSE 514.
 4. PIPE SURROUND MATERIALS SHALL BE AS SHOWN ON DRG NO. RCD/500/32.
 5. THE DRAIN SHALL BE CONSTRUCTED WITH ONE FACE IN CONTACT WITH THE PAVEMENT CONSTRUCTION.
 6. THE MAXIMUM INCREASED WIDTH OF FILTER MATERIAL SHALL BE 150. IN THIS AREA EITHER FILTER MATERIAL OR CAPPING MATERIAL MAY BE PLACED.

DRAINS LAID IN NARROW TRENCHES



DRAIN TYPE 8



DRAIN TYPE 9

DRAINS LAID IN THE SIDE OF EXCAVATION PRIOR TO THE PLACEMENT OF PAVEMENT/CAPPING LAYERS

NOT TO SCALE

	ROAD CONSTRUCTION DETAILS	DRAINAGE			EDGE OF PAVEMENT DRAINS – INSTALLATION OF NARROW FILTER DRAINS	Drawing No.
			P1	01/09		RCD/
			Issue	Date		500/33