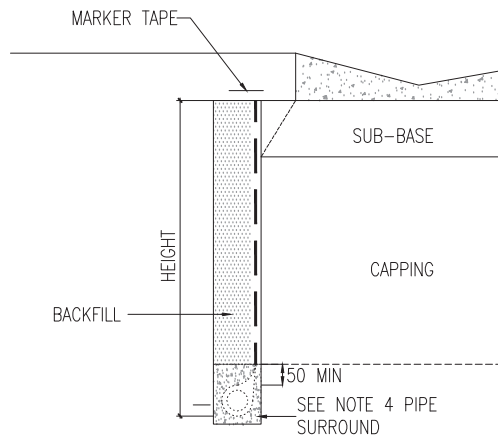
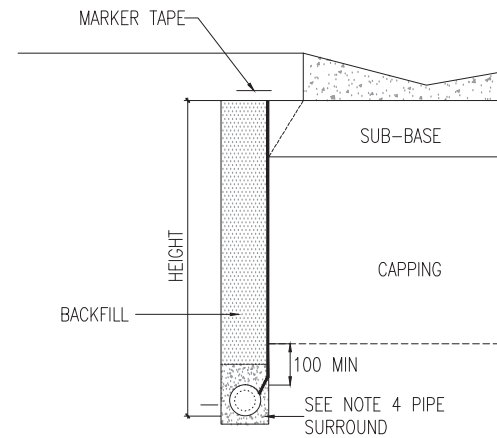


DRAIN TYPE 5



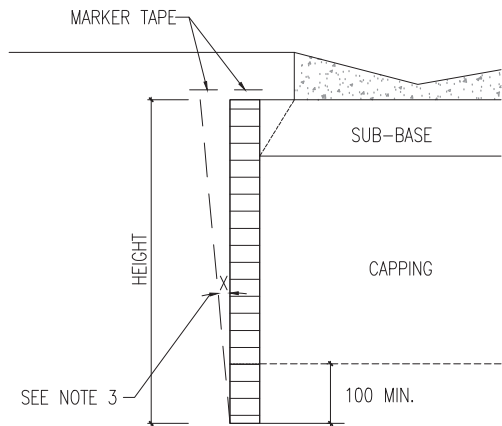
DRAIN TYPE 6
DRAINS LAID IN NARROW TRENCHES



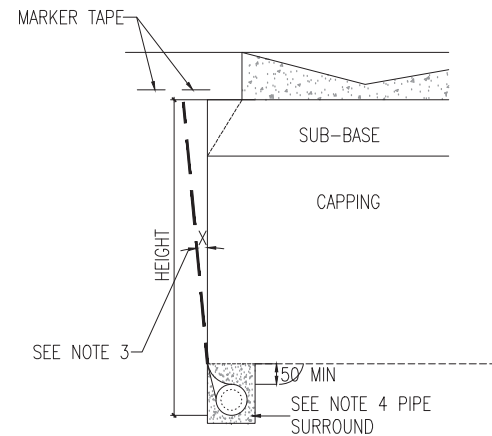
DRAIN TYPE 7

NOTES:

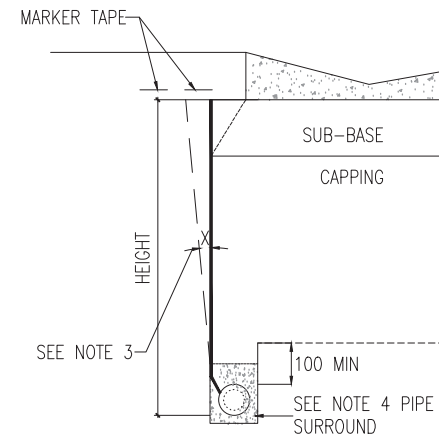
1. ALL DIMENSIONS ARE IN MILLIMETRES.
2. FIN DRAINS SHALL BE A MINIMUM OF 75 FROM THE EDGE OF THE SURFACE WATER CHANNEL WHERE APPROPRIATE
3. MARKER TAPES, SURROUND/ BACKFILL MATERIAL AND MAXIMUM DRAIN SLOPE ANGLE (X) SHALL BE AS DESCRIBED IN MCDRW CLAUSE 514.
4. PIPE SURROUND MATERIALS SHALL BE AS SHOWN ON RCD/500/40.
5. INSTALLATION OF THE DRAINS SHALL BE MODIFIED ACCORDINGLY WHEN USED IN CONJUNCTION WITH KERB & GULLY OR COMBINED KERB & DRAINAGE CHANNEL UNITS
6. THE DRAIN SHALL BE CONSTRUCTED WITH ONE GEOTEXTILE FACE IN CONTACT WITH SIDE OF THE EXCAVATION. THE SIDE HAVING THE GREATER PERMEABILITY SHALL FACING TOWARDS AND BE IN CONTACT WITH THE PAVEMENT CONSTRUCTION WHERE APPROPRIATE.
7. SLOTS IN DRAIN TYPE 7 SHALL BE NOT MORE THAN 60° FROM THE CROWN OF THE PIPE



DRAIN TYPE 5



DRAIN TYPE 6
DRAINS LAID IN THE SIDE OF EXCAVATION PRIOR TO THE
PLACEMENT OF PAVEMENT/CAPPING LAYERS



DRAIN TYPE 7

NOT TO SCALE

TII PUBLICATION NUMBER: CC-SCD-00541