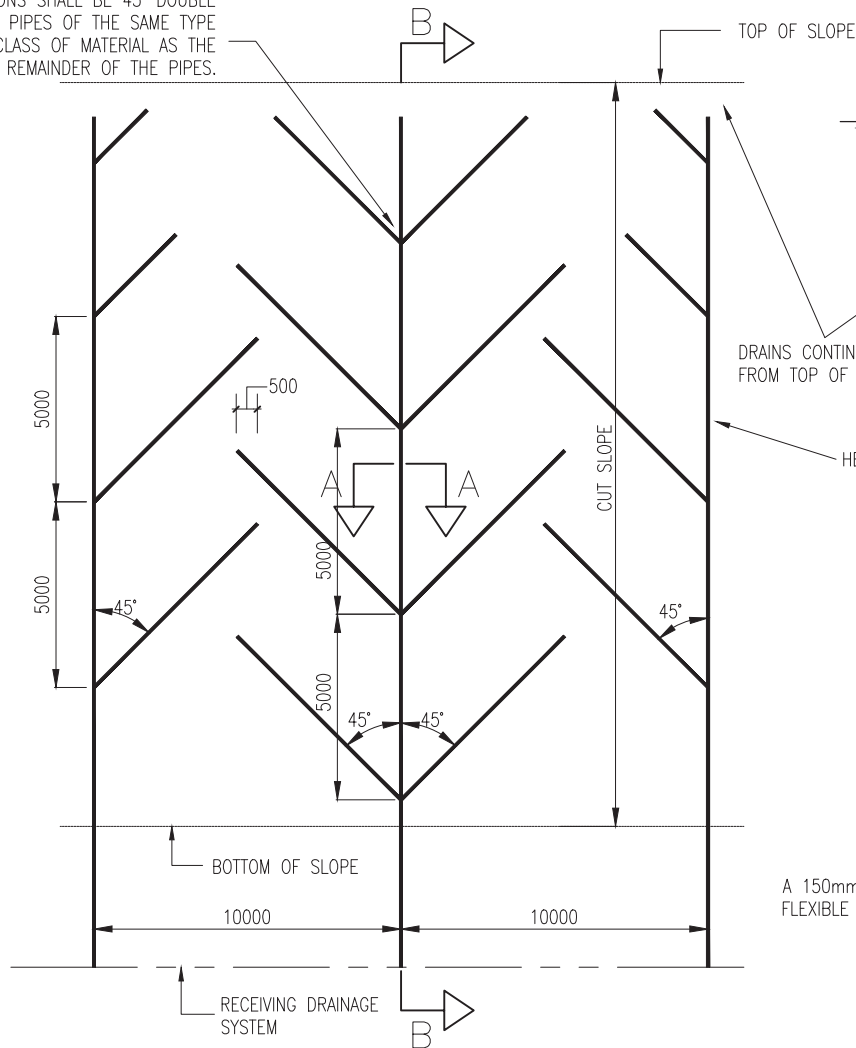


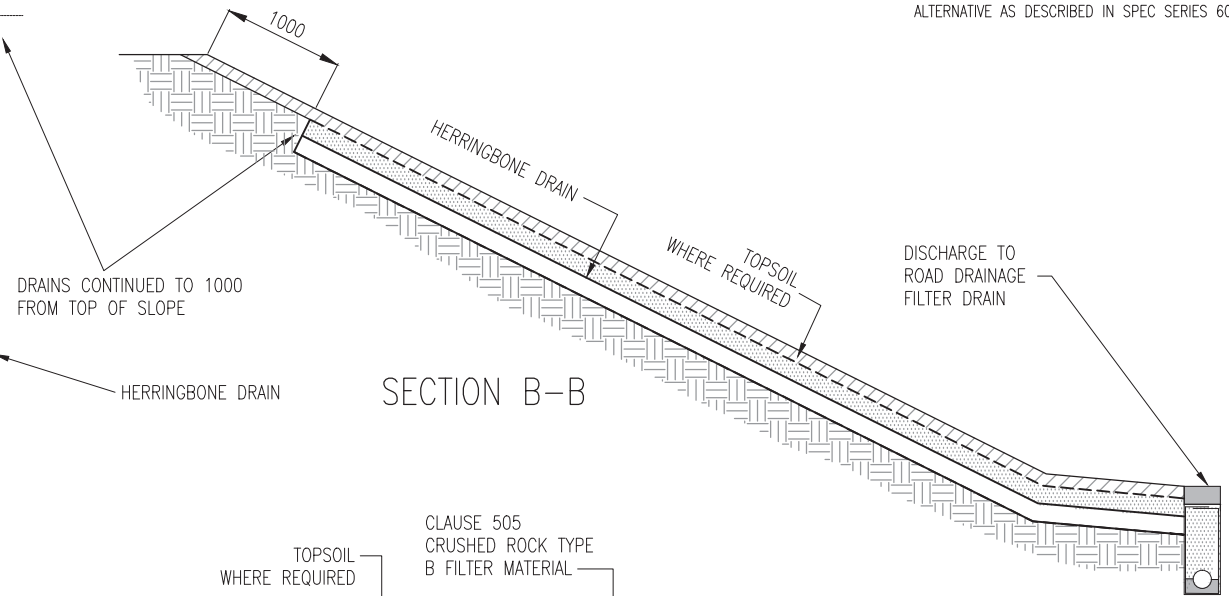
NOTES:

1. ALL DIMENSIONS ARE IN MILLIMETRES.
2. THE SECTION THROUGH THE DRAINED SLOPE SHOWS THE MOST COMMON USE OF HERRINGBONE DRAINS IN A CUT SLOPE DISCHARGING INTO A VERGE FILTER DRAIN.
3. DRAINAGE BLANKET MAY BE USED AS AN ALTERNATIVE AS DESCRIBED IN SPEC SERIES 600.

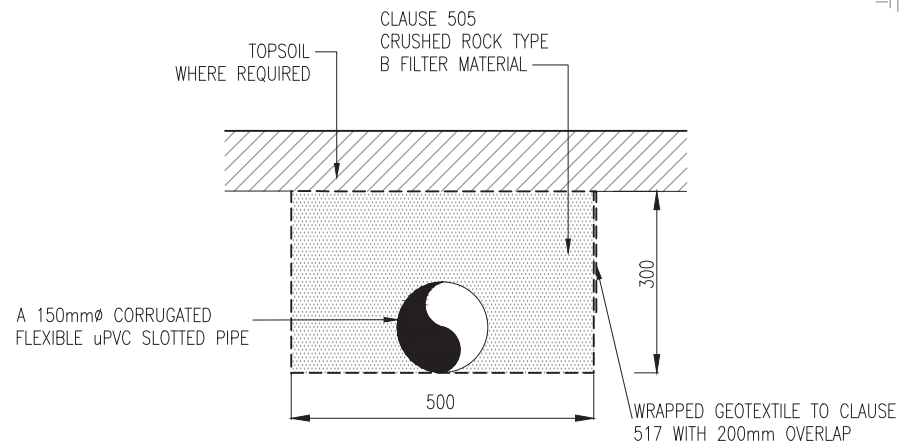
CONNECTIONS SHALL BE 45° DOUBLE JUNCTION PIPES OF THE SAME TYPE AND CLASS OF MATERIAL AS THE REMAINDER OF THE PIPES.



LAYOUT OF HERRINGBONE DRAINS



SECTION B-B



SECTION A-A

SECTION THROUGH HERRINGBONE DRAINS

NOT TO SCALE

TII PUBLICATION NUMBER: CC-SCD-00529

P3	03/15
P2	01/09
P1	10/07
Issue	Date