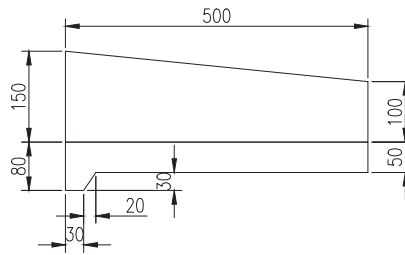


TYPE D BLOCKS – PLAN

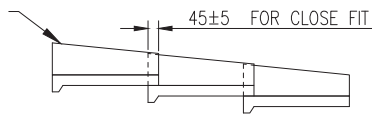


SECTION A-A

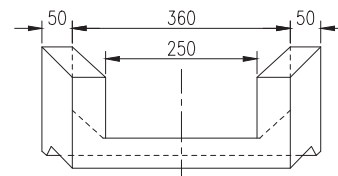
NOTES:

1. ALL DIMENSIONS ARE IN MILLIMETRES.
2. BLOCKS TO BE MADE OF PRESSED CONCRETE TO IS EN 1340.

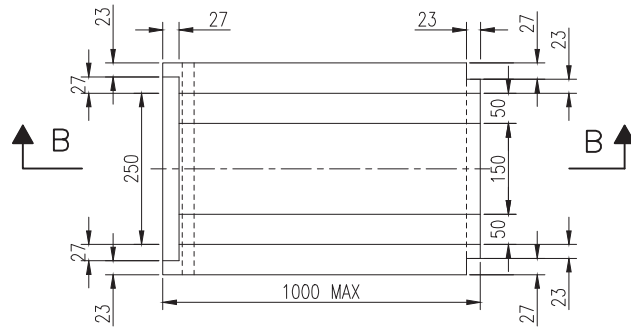
TOP OF CHANNEL 50mm ABOVE FINISHED GROUND LEVEL



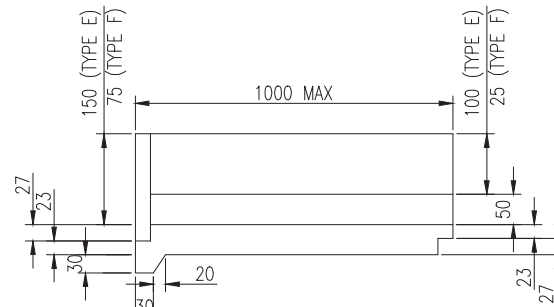
ASSEMBLED TYPE D BLOCKS



END VIEW

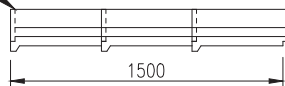


TYPE E & F BLOCKS – PLAN

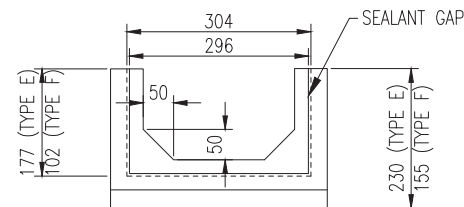


SECTION B-B

TOP OF CHANNEL 50mm ABOVE FINISHED GROUND LEVEL



ASSEMBLED TYPE E AND F BLOCKS



END VIEW

TII PUBLICATION NUMBER: CC-SCD-00524

NOT TO SCALE



ROAD CONSTRUCTION
DETAILS

DRAINAGE

P4	03/15
P3	01/09
P2	10/07
Issue	Date

DRAINAGE CHANNEL BLOCKS
TYPES D, E AND F

Drawing No.

RCD/
500/24