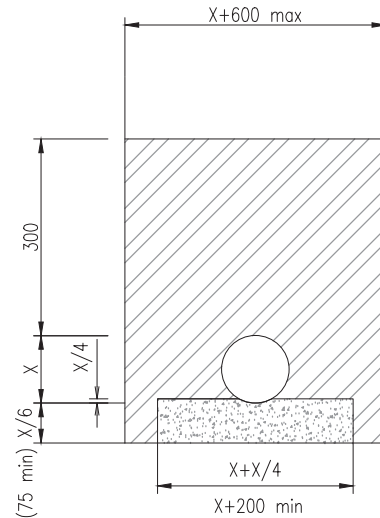
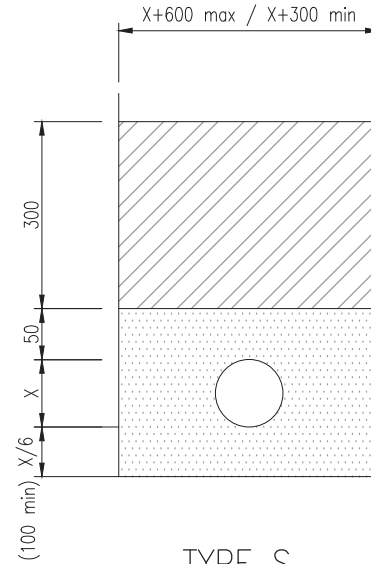


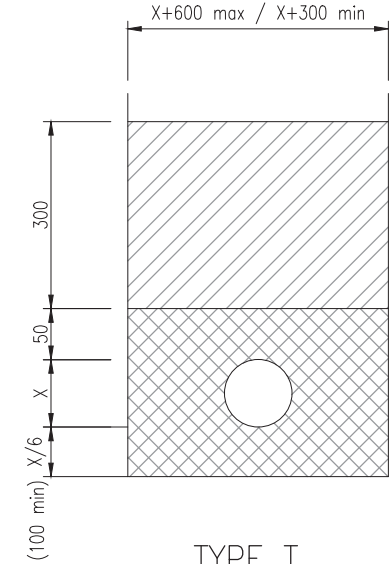
TYPE Z



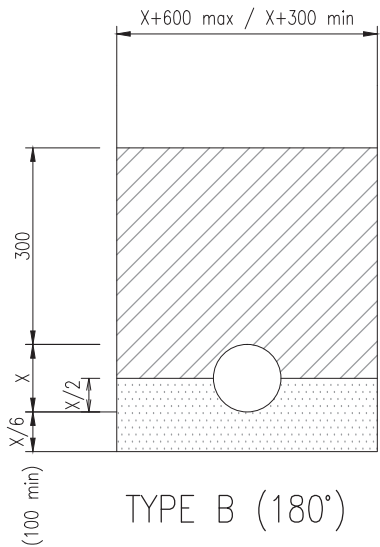
TYPE A (120°)



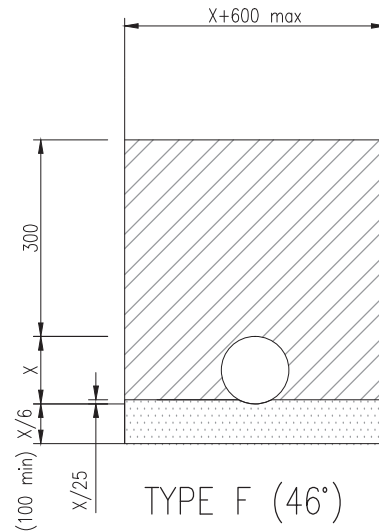
TYPE S



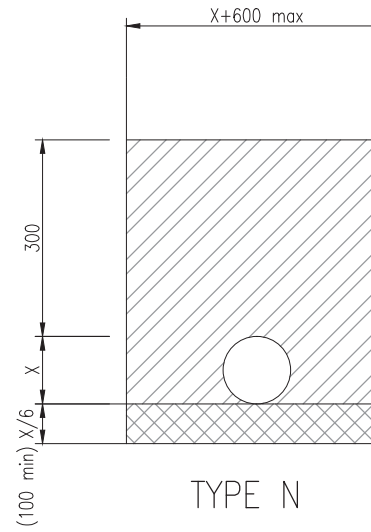
TYPE T



TYPE B (180°)



TYPE F (46°)

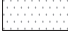





TYPE N

NOTES:

1. ALL DIMENSIONS ARE IN MILLIMETRES.
2. DIMENSION X IS THE EXTERNAL DIAMETER OF THE PIPE.
3. THE MINIMUM AND MAXIMUM WIDTH OF THE TRENCH APPLIES ON AND BELOW A LINE 300mm ABOVE THE OUTSIDE TOP OF THE PIPE. ABOVE THE 300mm LINE THE TRENCH BACKFILL MATERIAL SHALL BE AS DESCRIBED IN CLAUSE 505.2 OF MCDRW
4. THE CONCRETE BED OR SURROUND MAY EXTEND TO THE SIDES OF THE TRENCH OR BE OF MINIMUM WIDTH. MATERIAL TO CLAUSE 503.3(iii) IS TO BE USED TO FILL ANY VOIDS SO FORMED.
5. FOR TYPE Z TRENCH THE CONCRETE COVER MAY BE FORMED TO A RADIUS BATTER OR HORIZONTAL SURFACE. MINIMUM COVER OF CONCRETE SHALL BE 150.

KEY:

-  CLAUSE 503 COARSE AND LIGHT WEIGHT AGGREGATE TO TABLE 5/3 OF MCDRW SERIES 500
-  ST4 CONCRETE TO MCDRW CLAUSE 2602
-  CLAUSE 503 FINE AND ALL-IN AGGREGATE TO TABLE 5/4 MCDRW SERIES 500
-  CLASS 1 OR 2 MATERIAL TO MCDRW CLAUSE 503.3 (iii)

NOT TO SCALE