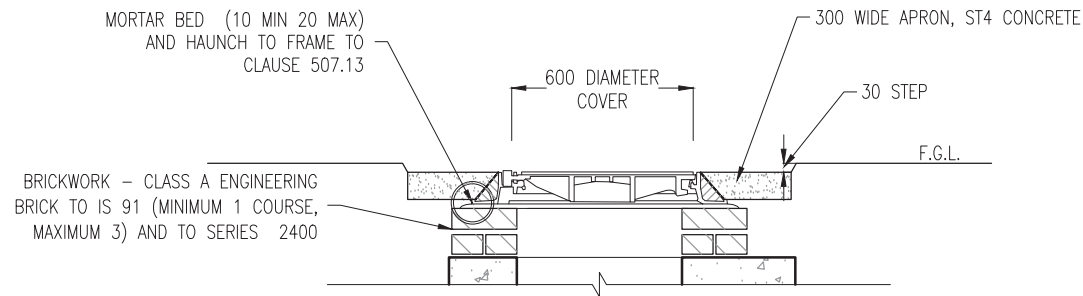
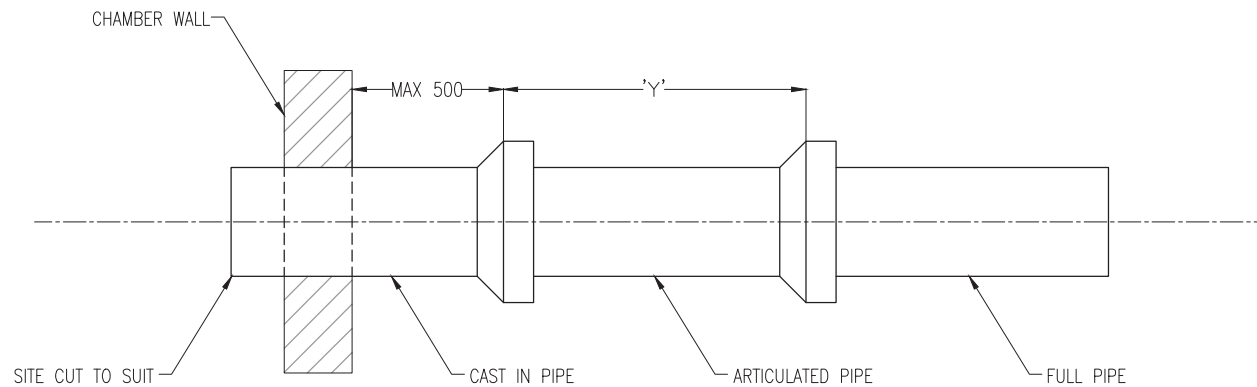


NOTES:

1. ALL DIMENSIONS ARE IN MILLIMETRES.
2. REFER TO MCDRW CLAUSE 507.14 FOR DETAILS OF FLEXIBLE JOINTS THROUGH CHAMBER WALLS.



CHAMBER COVER DETAIL IN CARRIAGEWAYS



FLEXIBLE JOINT DETAIL THROUGH CHAMBER WALL

NOMINAL PIPE DIAMETER	'Y'
≤ 450	500-750
> 450	750-1000

TII PUBLICATION NUMBER: CC-SCD-00514

NOT TO SCALE