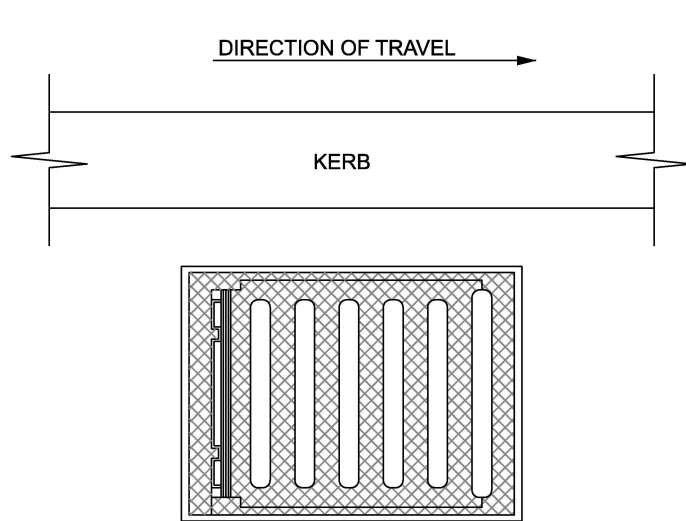
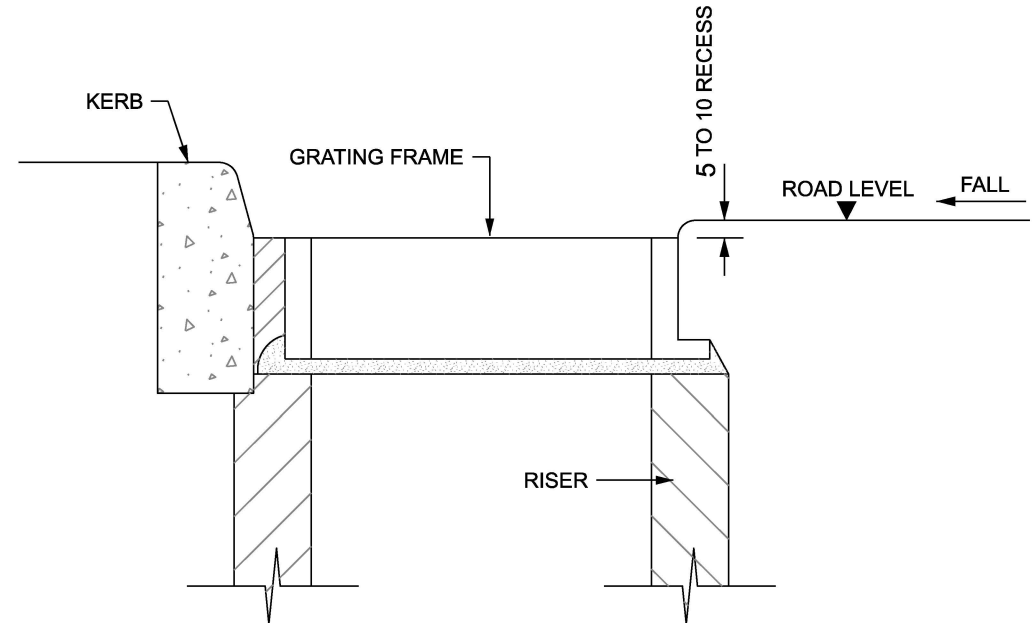


- NOTES:-
1. ALL DIMENSIONS ARE IN MILLIMETERS.
 2. GULLY GRATING TO COMPLY WITH IS EN 124.
 3. GULLY GRATING TO BE PROVIDED WITH A LOCKING DEVICE TO CLAUSE 508.4.





INDICATIVE GULLY GRATING DETAIL



GULLY PROFILE

NOT TO SCALE

	<p>ACTIVITY</p> 	<p>PUBLICATION TITLE</p> <p>DRAINAGE GULLY GRATING</p>								
	<p>STREAM</p> <p>STANDARD CONSTRUCTION DETAILS (SCD)</p>	<p>HISTORICAL REFERENCE</p> <p>RCD/500/12</p>	<p>DOCUMENTATION SET</p> <p>STANDARDS</p>	<p>PUBLICATION DATE</p> <p>FEBRUARY 2024</p>	<p>PUBLICATION NUMBER</p> <table border="1"> <tr> <td>ACTIVITY</td> <td>STREAM</td> <td>DRAWING NUMBER</td> </tr> <tr> <td>CC</td> <td>SCD</td> <td>00512</td> </tr> </table>	ACTIVITY	STREAM	DRAWING NUMBER	CC	SCD
ACTIVITY	STREAM	DRAWING NUMBER								
CC	SCD	00512								