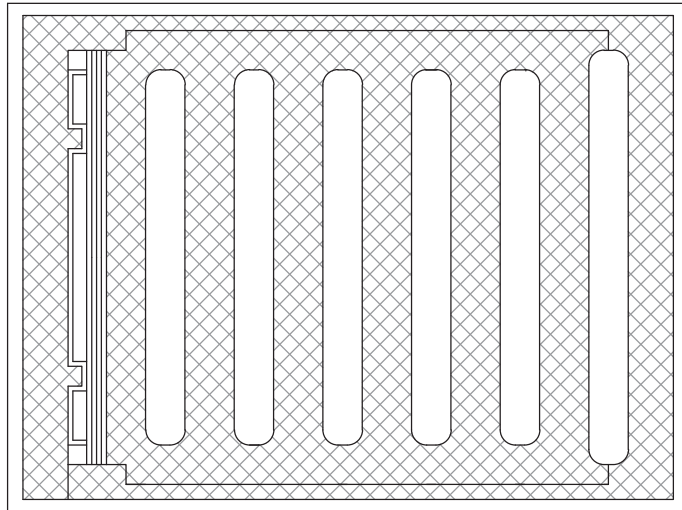
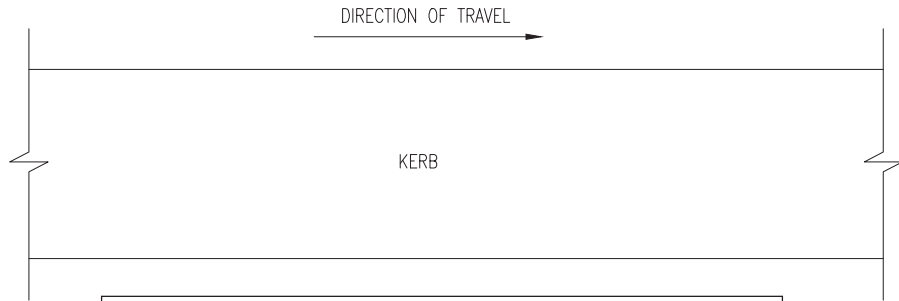
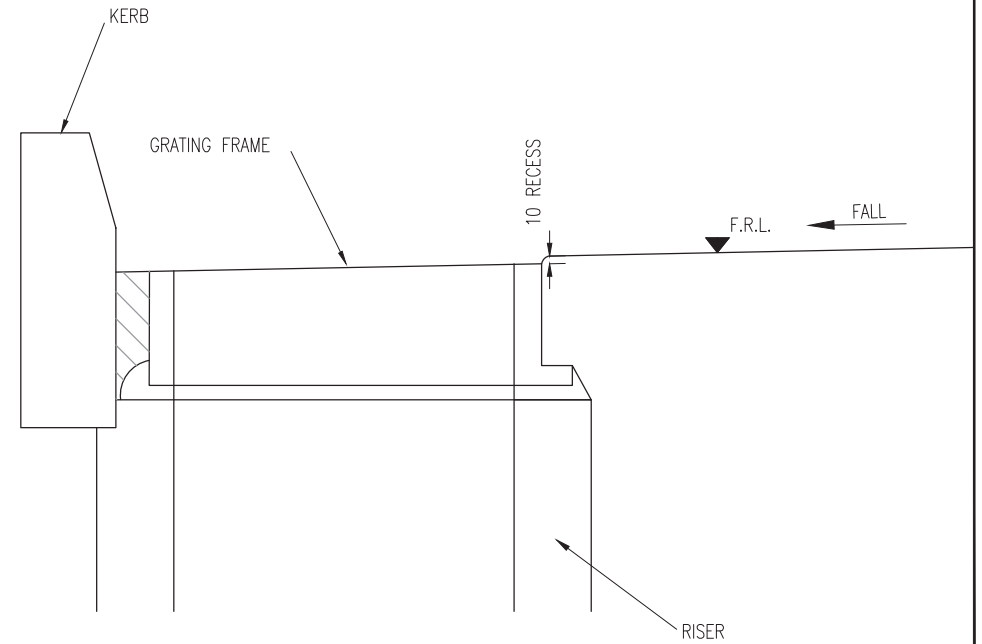


NOTES:

1. ALL DIMENSIONS ARE IN MILLIMETRES.
2. GULLY GRATING TO COMPLY WITH IS EN 124.
3. GULLY GRATING TO BE PROVIDED WITH A LOCKING DEVICE IN ACCORDANCE WITH CLAUSE 508.4.



INDICATIVE GULLY GRATING DETAIL



GULLY PROFILE

NOT TO SCALE

TII PUBLICATION NUMBER: CC-SCD-00512



ROAD CONSTRUCTION
DETAILS

DRAINAGE

P5	03/15
P4	04/11
P3	01/09
Issue	Date

GULLY GRATING

Drawing No.

RCD/
500/12